



Temperature Sensor Pt 100 class B DIN IEC 751

For explosive atmosphere
ATEX 2 GD Ex ia IIC T6
Ex iaD 21 IP66/68 T6 (T85°C)
INERIS 03ATEX0096X
T amb: -40° C à 60° C

Used in ATEX zone 21.

THREADING 1/4 G WITH 90° ANGLED GREASING DEVICE DIN 71412
CABLE & BRAID TEFLON LENGTH 10m
YELLOW+GREEN
TEMP MAX 250° C

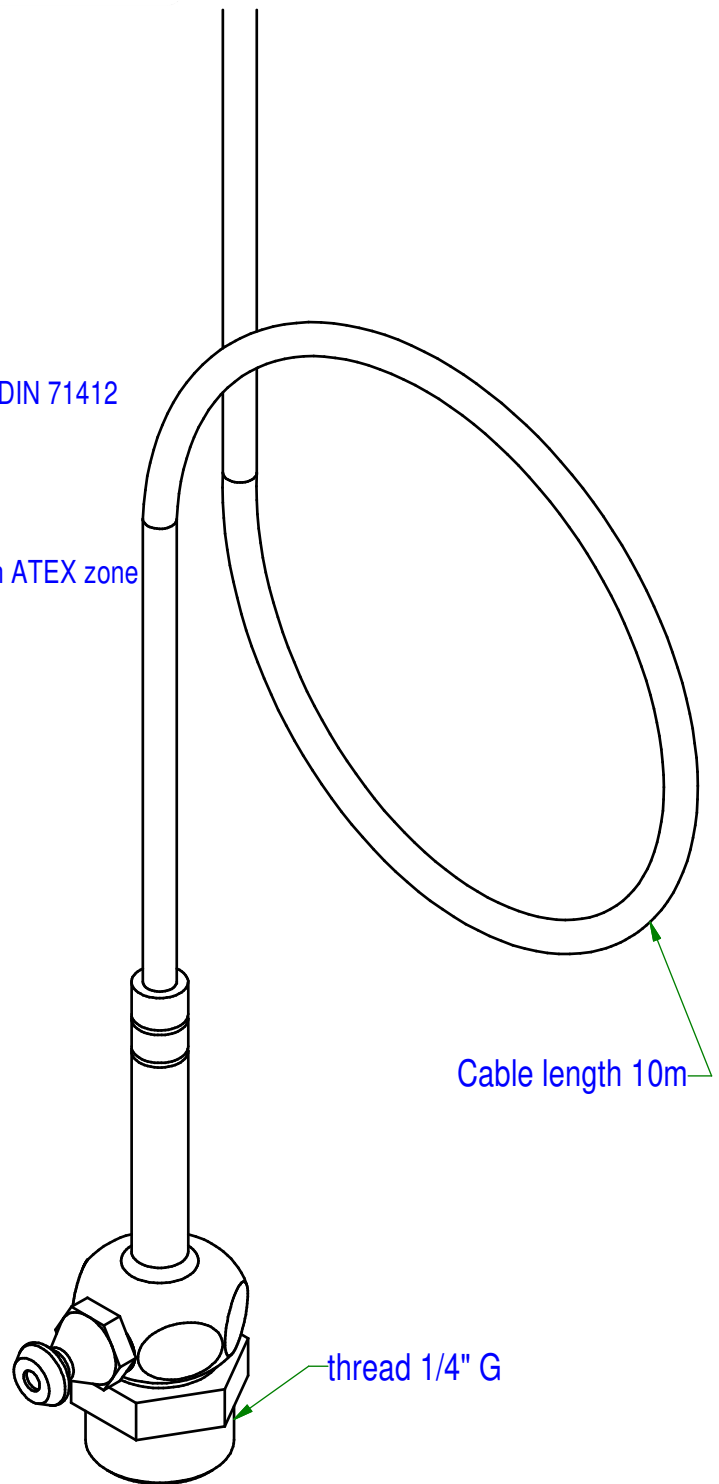
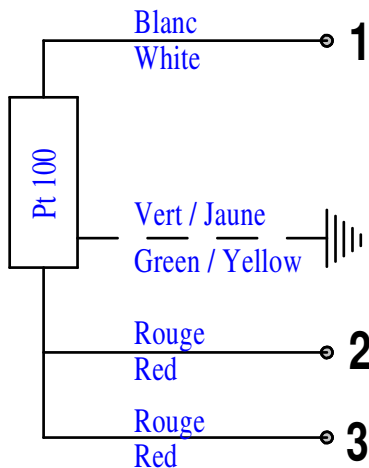
Need to use the intrinsic electrical amplifier in order to plug in ATEX zone

Analogic signal for the power's control amplifier

Exist for not ATEX zone.

Wiring:

$U_i \leq 28V$ DC
 $I_i \leq 120mA$
 $P_i \leq 0.84W$



B	Modif. description			19/07/18	TT	MJ
Ind.	modified			Date	Name	Check
Plan n°: 55GST7100P	Ind. Material: B	Protection:	General Tolérances: ± 0.1 mm ± 1°	Scale.:		
Désignation: Bearing temperature sensor PT100 LG			A4	VIGI THERM		



SOCIETE DE TOLERIE INDUSTRIELLE FRANCAISE
RCS ANGERS B 328 876 503 / 84 B 12 / APE 283 C / Télécopie 33 2 41 39 32 12
Zone industrielle / 49170 ST-GEORGES-SUR-LOIRE / Téléphone 33 2 41 72 16 82/Email: stif@wanadoo.fr

Designer: BATARD jI
Check: jI
Date: 06/03/2008
Date: