

**VIGIRO® IP26 - CRCI91250T : Ue 10...36V DC - NC - CABLE 2m - NOT ATEX**

**USE**

- The VIGIRO® IP26 was engineered in order to control the constant speed of a rotative shaft. The VIGIRO® IP26 includes indeed in its deck a pulses ometer which is either connected on a preset machine or on an independant security module to ident the nominal pulses' frequency at the outlet. It is frequently installed on buckets' elevators, chain conveyors, mixers, locks, etc.....

- The VIGIRO® IP26 will be directly fitted to shaft with M12 screws for the standard fabrication and with M10 screws on request.

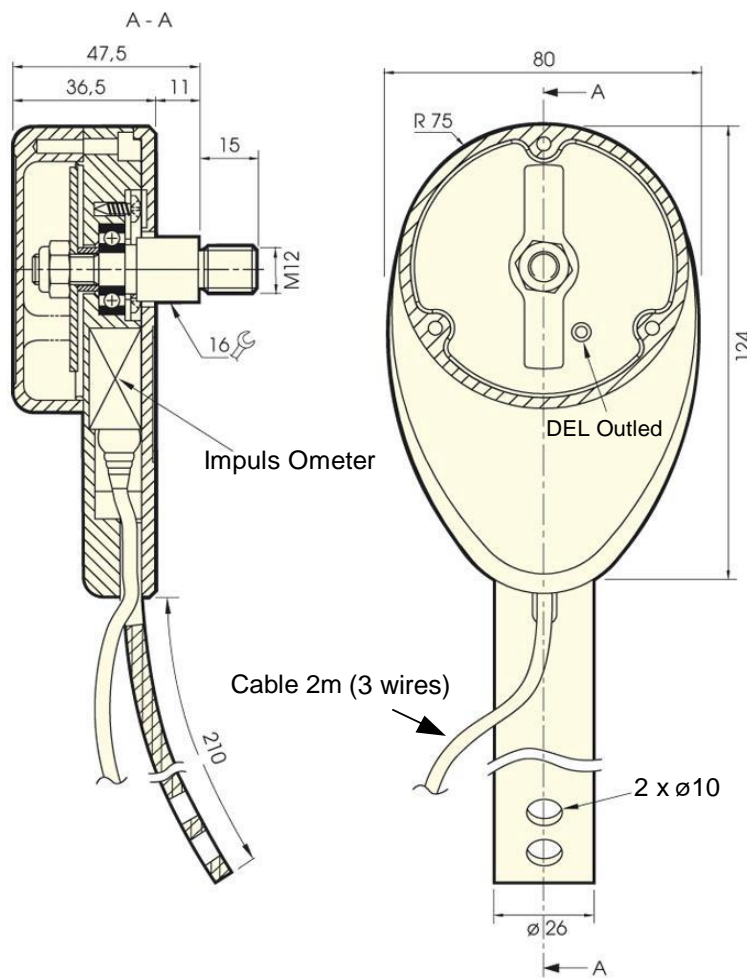
An optional magnetic fitting on shaft is also available which enables a very quick bring into service and avoids tapping.

**DESCRIPTION**

- Protection skin in polycarbonate
- Connecting cable 2m (3wires)
- M12 thread rotative axle in standard fabrication (M10 optional) for the fitting to shaft
- Under speed belt
- Metallic propeller with two pales under transparent hood.

**Possible adjustment of the VIGIRO IP26**

- Rotative frequency to be respected 0.5...500 rounds/min i.e. 1....1000 impuls/min



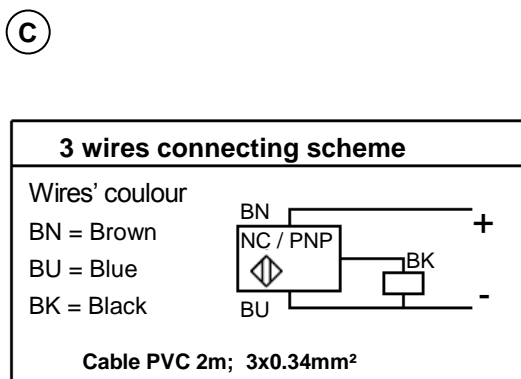
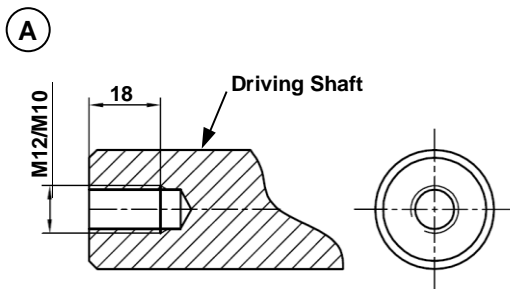
### SAFETY INSTRUCTIONS

The VIGIRO® IP26 must be installed, connected and brought into service by qualified staff. The staff has to know the protection groups, the rules and arrangements in industrial areas.

- First of all, you have to define the under speed level to be preset on an automatic machine or safety device.
- Before bringing into service the VIGIRO® IP26 or before any intervention on it, the elevator must be stopped.
- The user is in charge of the throwing out of the VIGIRO® IP26. Its components according their nature (polycarbonate, EPDM rubber, steel, etc) have to be discarded in the corresponding sorting centres.

### INSTALLATION

- Following the A drawing, drill the centre of the shaft to make a M12 or M10 tapping (depending on the ordered fabrication). Tapping has to be of 18 mm deep at least (pay a lot of attention to the centring of the tapping to avoid the VIGIRO® IP26 eccentricity).
- Coat the tapping with a kind of glue, screw the VIGIRO® IP26 axle on the system's shaft with an open end wrench of 16mm.
- Fix without any stress the antirotative belt on a reliable anchoring
- According the electrical C scheme, connect the VIGIRO® IP26



- 2m cable connection ( 3 wires )
- Supply Voltage - 12...24V DC
- Supply limits (including ondulation)- 10...36V DC
- Protection - IP68