

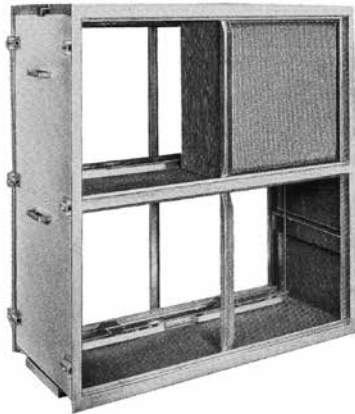


2x2 Ultra-Lok housing with a filter in the upper-right corner
Typically installed on the exhaust of the fan

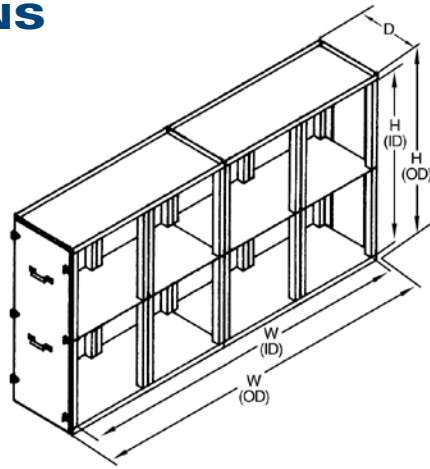
PROVIDES A STURDY HOUSING FOR HEPA AFTERFILTERS

- Modular construction specifically designed to integrate with any Donaldson Torit dust collection system
- Provides backup filtration in the event of dust collector leakage
- Pressure gauge identifies service requirements for better performance monitoring capabilities
- Access from both sides provides easy filter changeout with no tools
- HEPA final filter provides 99.97% efficiency on 0.3 μm particles
- Configured to hold 1, 2, 3, 4, 6, 8, 9, or 12 HEPA filters and Air-O-J™ prefilters
- Compact, self-contained unit designed for flexible floor placement to conserve space
- Durable 14 gauge carbon construction resists rust and corrosion
- Recirculates clean air, eliminating the need for costly make-up air

DIMENSIONS & SPECIFICATIONS



2 x 2 Ultra-Lok Housing



2 x 4 Ultra-Lok Housing

Modules	Capacity		Dimensions									
			Height				Width				Depth	
			ID		OD		ID		OD			
in	cfm	m ³ /h	in	mm	in	mm	in	mm	in	mm	in	mm
1 x 1	2,000	3,397	24.2	614.4	28.2	716.0	23.9	606.0	26.6	676.1	23.0	584.2
1 x 2	4,000	6,795	24.2	614.4	28.2	716.0	48.1	1220.5	50.8	1290.6	23.0	584.2
1 x 3	6,000	10,192	24.2	614.4	28.2	716.0	72.2	1832.6	74.9	1902.7	23.0	584.2
1 x 4	8,000	13,589	24.2	614.4	28.2	716.0	96.2	2444.5	99.0	2514.6	23.0	584.2
2 x 1	4,000	6,795	49.5	1257.3	53.5	1358.9	23.9	606.0	26.6	676.1	23.0	584.2
2 x 2	8,000	13,589	49.5	1257.3	53.5	1358.9	48.1	1220.5	50.8	1290.6	23.0	584.2
2 x 3	12,000	20,384	49.5	1257.3	53.5	1358.9	72.2	1832.6	74.9	1902.7	23.0	584.2
2 x 4	16,000	27,178	49.5	1257.3	53.5	1358.9	96.2	2444.5	99.0	2514.6	23.0	584.2
3 x 1	6,000	10,192	74.8	1900.2	78.8	2001.8	23.9	606.0	26.6	676.1	23.0	584.2
3 x 2	12,000	20,384	74.8	1900.2	78.8	2001.8	48.1	1220.5	50.8	1290.6	23.0	584.2
3 x 3	18,000	30,576	74.8	1900.2	78.8	2001.8	72.2	1832.6	74.9	1902.7	23.0	584.2
3 x 4	24,000	40,768	74.8	1900.2	78.8	2001.8	96.2	2444.5	99.0	2514.6	23.0	584.2

The unit is designed to handle up to 3" (76.2 mm) of positive static pressure. All units include housing, HEPA filters and Air-O-J prefilters. Bottom and top interface flanges for customer ductwork are 2" (50.8 mm) wide and side interface flanges are 1-3/8" (34.9 mm) wide. All interface flanges are located outside of the airstream. Filters are 24" x 24" (609.6 x 609.6 mm) nominal.

EQUIPMENT OPTIONS

- Gauge Kit, 4228601, includes Magnehelic®* gauge, tubing, and connection fittings.

* Magnehelic is a registered trademark of Dwyer Instruments, Inc. The Auto-Lok housing is NOT intended for outdoor installation. If the housing is installed outdoors, provisions should be made to protect the housing from the elements.

Significantly improve the performance of your collector with genuine Donaldson Torit replacement filters and parts.

Important Notice

Many factors beyond the control of Donaldson can affect the use and performance of Donaldson products in a particular application, including the conditions under which the product is used. Since these factors are uniquely within the user's knowledge and control, it is essential the user evaluate the products to determine whether the product is fit for the particular purpose and suitable for the user's application. All products, product specifications, availability and data are subject to change without notice, and may vary by region or country.



astgroup.ca



905-821-8860

