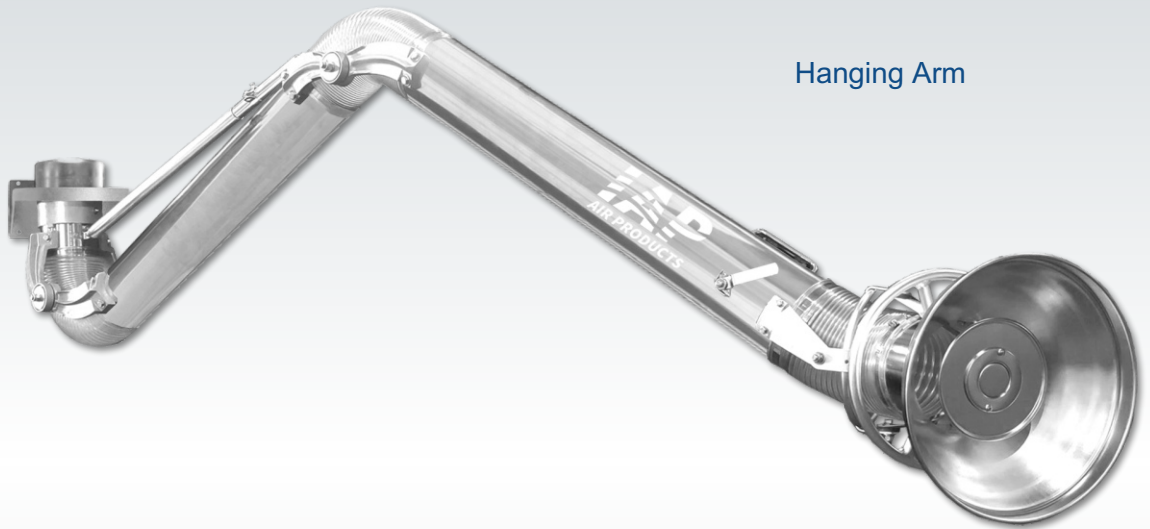




Industrial strength in capturing:

- BLENDING
- POURING
- DRY DUSTS
- MIXING
- CHEMICAL FUMES
- POWDERS

Industrial Stainless Steel Fume Arm



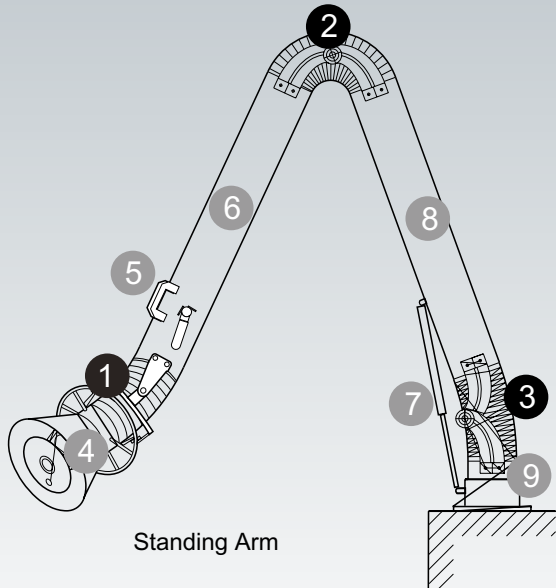
Hanging Arm



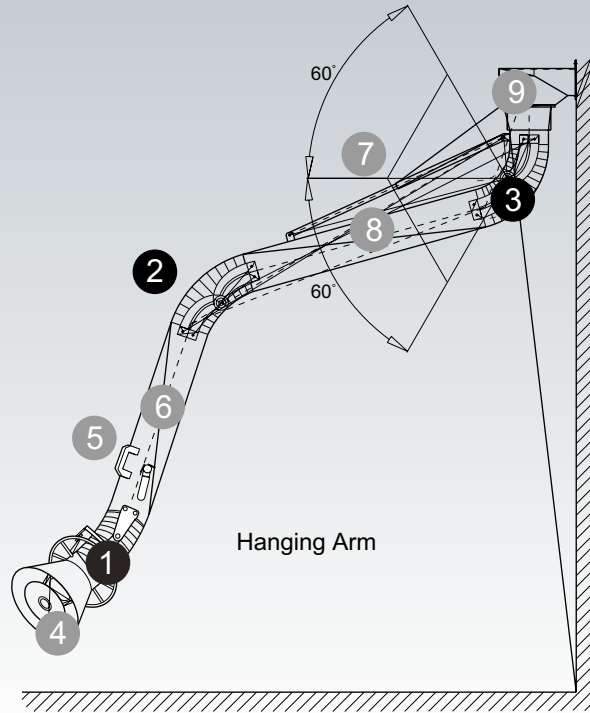
Standing Arm

Industrial Strength Construction

- 1 HOOD JOINT**
Hood easily positions forward, backward and sideways.
All external adjustments.
Flexible hose with gear clamps.
- 2 MIDDLE JOINT**
All external adjustments.
Flexible hose with gear clamps.
FDA Pur Antistatic hose.
- 3 SOCKET JOINT**
Rotating swivel with safety stop, for 180° rotation. All external adjustments. Flexible hose with gear clamps.



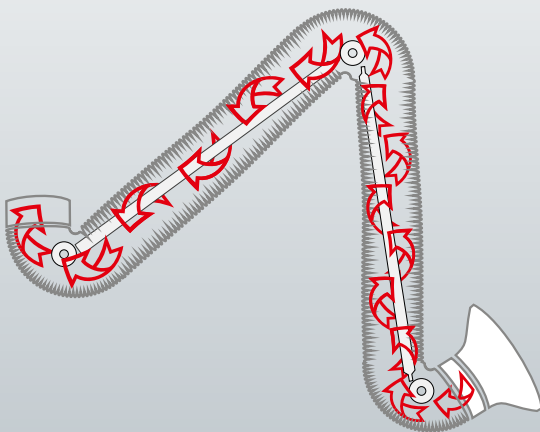
Standing Arm



Hanging Arm

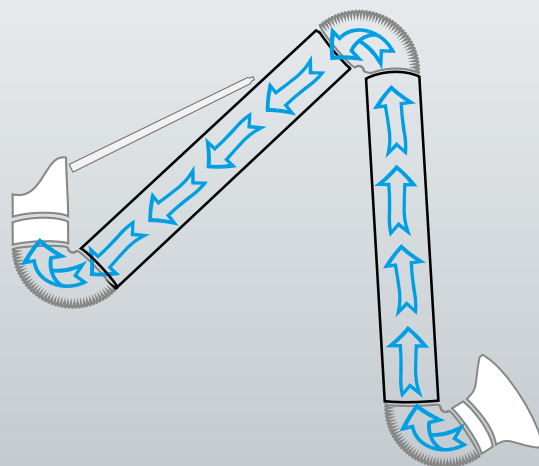
- 4** 304 Stainless Steel Hood with surrounding grab handle.
- 5** Additional tube grab handle.
- 6** 304 Stainless Steel tube with damper.
- 7** Support spring or gas shock on the outside on both versions.
- 8** 304 Stainless Steel tube.
- 9** Swivel base with predrilled mounting holes, 350° rotation.

Comparison



Other Brands - Internal Components

- restricted airflow
- higher static pressure
- hard to clean
- build up on joint and components



IAP Fume Arm - External Components

- unrestricted airflow
- lower static pressure
- quick cleaning
- minimal build up

Industrial Stainless Steel Fume Arm



Applications:

- Blending · Mixing · Pouring
- Chemical Fumes and many more!

Features:

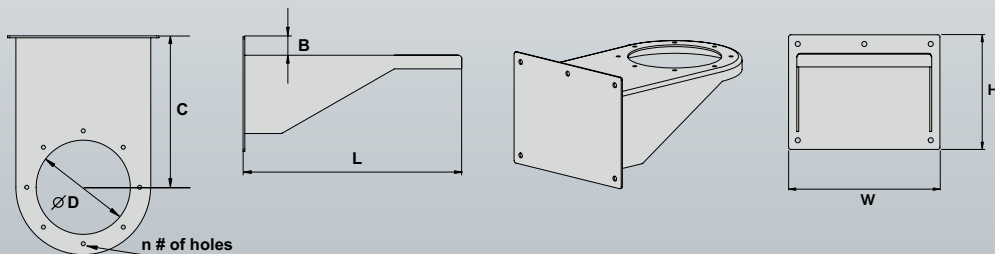
- Industrial strength
- Versatile design
- Smooth tube construction
- External joints and supports
- Hood and tube grab handles
- Air diverter in the hood
- Standard damper
- FDA Pur Antistatic hose (200°F, intermittent 260°F)

Accessories:

- Long lasting life time
- User-friendly operation
- Higher airflow performance
- Easy to adjust and maintain
- Simple positioning
- Increased capture velocity
- Damper and mounting bracket included

Standard Hanging Mount Brackets

Bracket type Ø [inches]	n	ØD [inches]	C [inches]	L [inches]	B [inches]	W [inches]	H [inches]
3	4	3.0	4.8	8.0	1.0	7.3	5.2
4	4	4.0	4.9	8.5	1.4	7.9	5.7
5	6	5.0	5.7	9.9	1.5	9.4	6.5
6	6	6.0	9.8	14.5	1.3	10.0	6.5
8	8	8.0	9.8	15.7	1.5	13.9	8.5



Hanging Mount Bracket

Support Spring

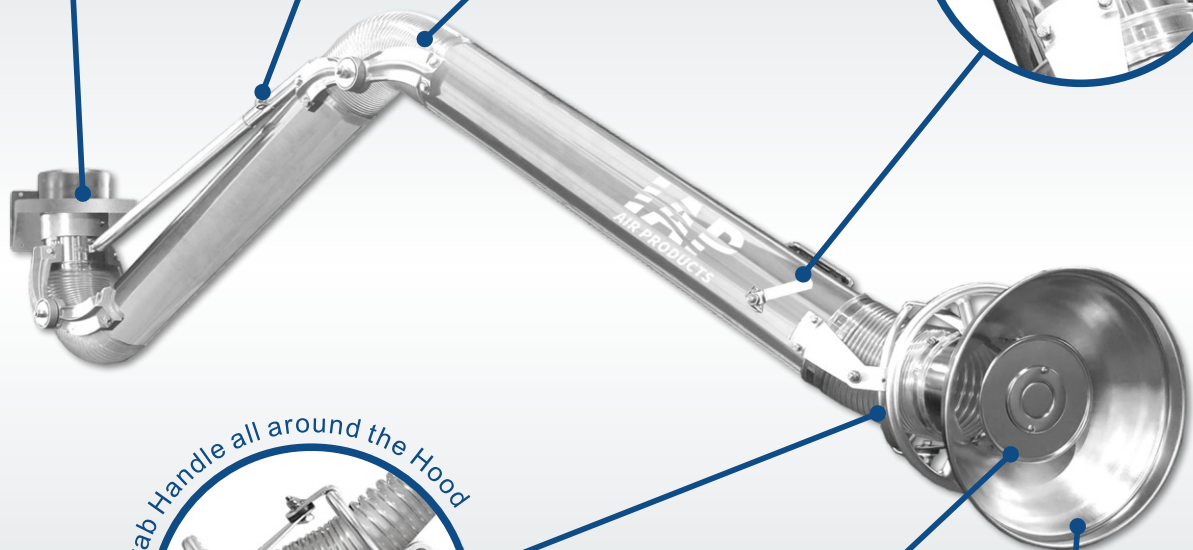
All External Joints and Supports

Standard Damper

Grab Handle all around the Hood

Spark Protector (Option)

Light Kits (Option)



Industrial Stainless Steel Fume Arm

Technical Data

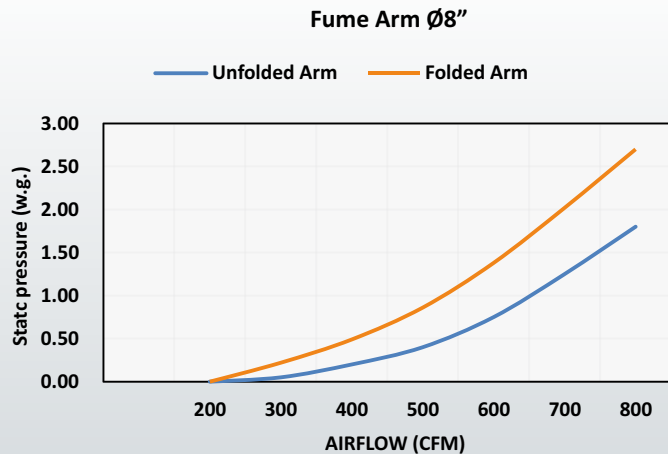
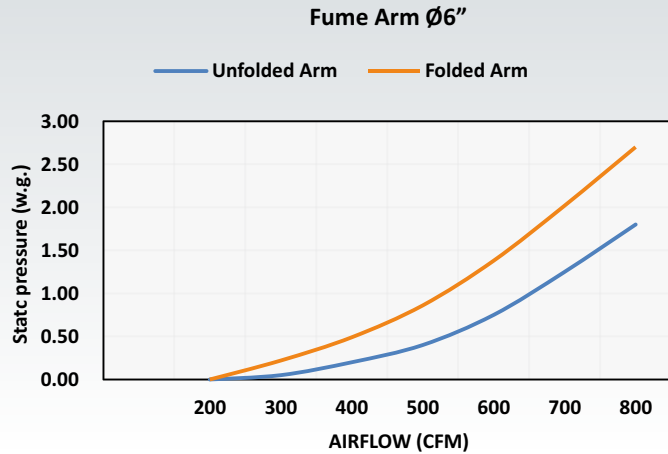
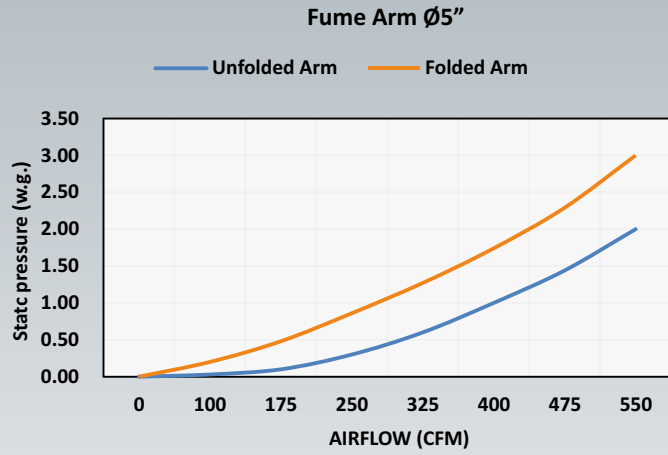
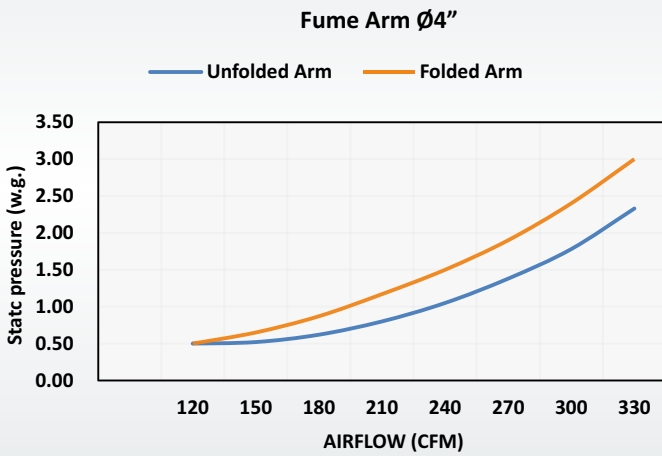
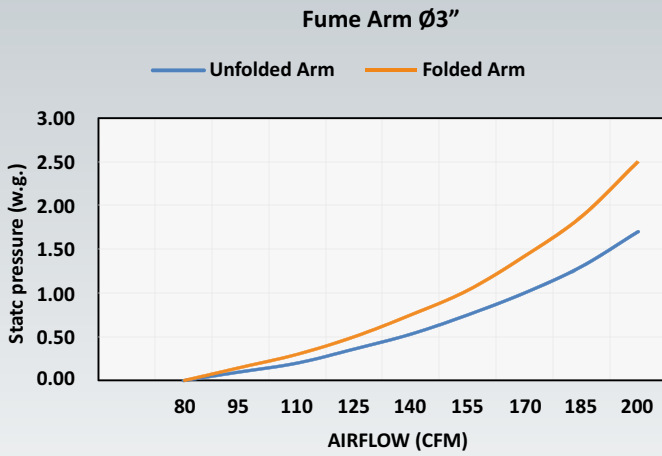
Arm Part #	Tube Diameter [inches]	Arm Length [Feet]	Hood Diameter [inches]	Ductwork Connection [inches]	Mounting Configuration	Typical Restrictions & Air Flow at 3000 fpm [inches wg]
FA-0303	3	3	8	3	Hanging or Standing	1.2 @ 175 cfm
FA-0305	3	5	8	3	Hanging or Standing	1.2 @ 175 cfm
FA-0405	4	5	10	4	Hanging or Standing	1.1 @ 255 cfm
FA-0408	4	8	10	4	Hanging	1.1 @ 255 cfm
FA-0507	5	7	10	5	Hanging or Standing	1.0 @ 400 cfm
FA-0510	5	10	10	5	Hanging	1.0 @ 400 cfm
FA-0607	6	7	13	6	Hanging or Standing	0.8 @ 600 cfm
FA-0610	6	10	13	6	Hanging	0.8 @ 600 cfm
FA-0614	6	14	13	6	Hanging	0.8 @ 600 cfm
FA-0807	8	7	14	8	Hanging or Standing	0.7 @ 1050 cfm
FA-0810	8	10	14	8	Hanging	0.7 @ 1050 cfm
FA-0814	8	14	14	8	Hanging	0.7 @ 1050 cfm

* All hanging arms include wall bracket and galvanized ductwork connection.

EQUIPMENT OPTIONS			HOOD OPTIONS
Exhaust Fan	Floor Stanchions	Light Kits	20" diameter hoods for 6" arms
Ceiling Stanchions	Extension Booms	Wall Stanchions	20" diameter hoods for 8" arms



Static Pressure & Airflow



Dealer Information / Contact:

SINGLE SOURCE FOR

Fume / Welding / Dust Arms
 Ambient Air Cleaners, Mobile Welding Units
 Dust Collectors, Vehicle Exhaust, etc.

astgroup.ca



905-821-8860

