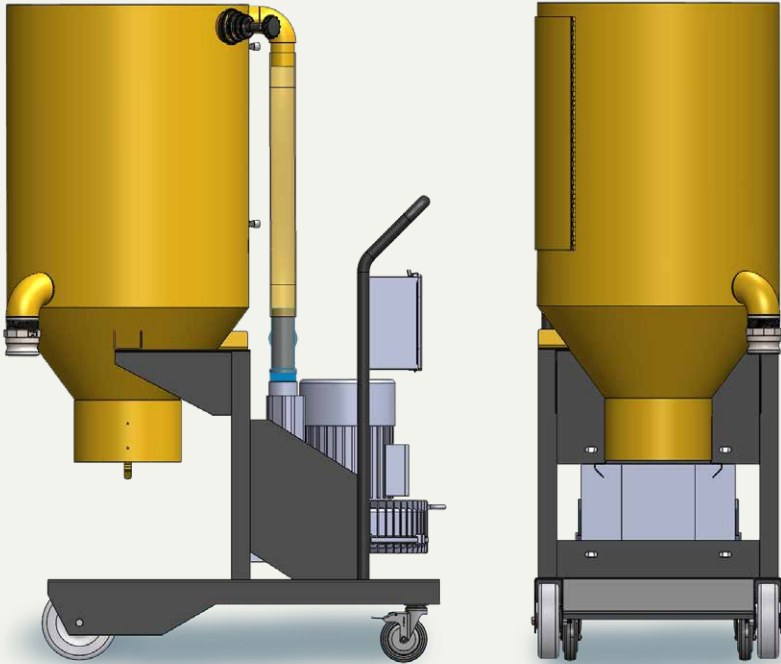


**SILICA SERIES**

# Lifetime™ LTS85 Silica Vacuum

The World's Most Durable Bagging Type Vac



- Discharges collected material into an engineered control bag system.
- Filters so good they last years, not months. Low, low cost of ownership.
- HEPA filter built-in and designed for safe use with silica based materials.



The Lifetime™ LTS85 Silica Vacuum almost never needs maintenance, even in heavy industrial environments.

With upgraded steel and filters that last ten times longer than other brands, you'll get a vacuum with a low, low cost of ownership. An 8.5 Hp motor is perfect for cleaning heavy, silica-like sand even with 50 ft long hoses.

Meet OSHA laws with a rugged silica vac by DuroVac.



The DuroVac Lifetime LTS85 is a portable silica bagging vacuum that lasts.

**TRIPLE FILTRATION** means hassle-free operation when you're handling fine powders. At 99.9% efficiency, the primary filter media won't easily blind, so performance never drops as the hopper fills. Vacuum continuously without stopping the system to shake the filters.

- First-stage impact separator with internal baffle plate to protect against abrasion.
- Large main filter in a baghouse-type format.
- 99.97% HEPA filter for silica safe operation.

## Specifications

<b>Model Number</b>	LTS85
<b>System Horsepower</b>	8.5 Hp
<b>Number of Hoses</b>	1 x 2.0" Up to 100'
<b>Air Flow - Inlet (CFM)</b>	380
<b>Vacuum (Maximum)</b>	8.5" Hg.
<b>Primary Filter Area (ft<sup>2</sup>)</b>	42.2
<b>Noise Level @ 3ft (dBa)</b>	85
<b>Weight (lbs)</b>	700



**Silica safe operation with a tough little vacuum that just keeps on working.**

Designed from the ground up to ensure the longest lasting filtration system, the LTS85 has more than double the primary filter area of any other vacuum in its class.

[astgroup.ca](http://astgroup.ca)



905-821-8860

