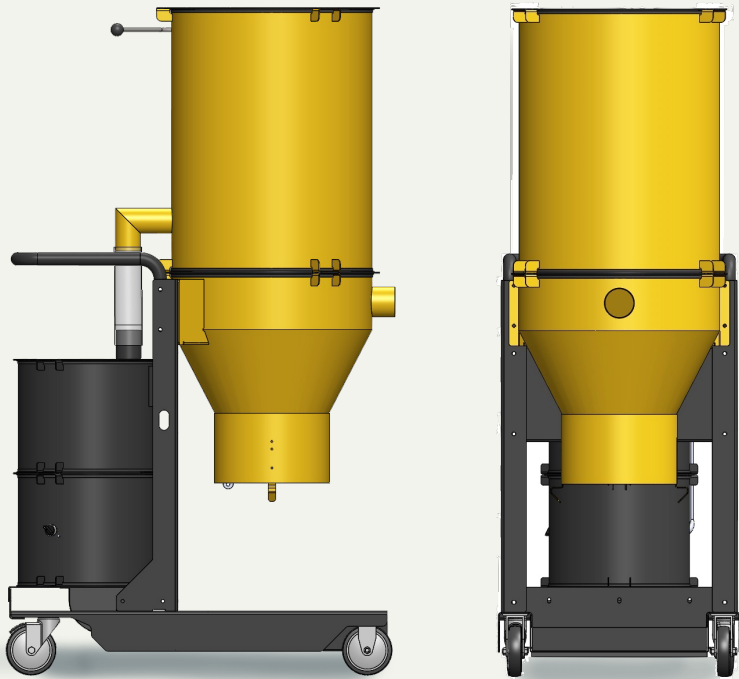


SILICA SERIES

Lifetime™ LTS3 Silica Vacuum

The World's Most Powerful Single-Phase Vac



- Discharges captured material into an engineered control bag system.
- Filters so good they last years, not months. Low, low cost of ownership.
- HEPA filter built-in and designed for safe use with silica based materials.



Tackle heavy silica-based powders with a Lifetime™ LTS3 industrial bagging vacuum by DuroVac.

With its powerful 20-amp turbine, the LTS3 vacuum easily supports long hoses. The trouble-free filtration system lets you take control of fine silica powders and discharge into a worker-safe bagging system.

The filters just keep on working with minimal maintenance.



The DuroVac Lifetime LTS3 is a portable single-phase powerhouse.

TRIPLE FILTRATION means hassle-free operation when you're handling fine powders. At 99.9% efficiency, the primary filter media won't easily clog, so performance never drops as the hopper fills. Vacuum continuously without stopping the system to shake the filters.

- First-stage impactation separator with internal baffle plate to protect against abrasion.
- Large main filter in a baghouse-type format.
- 99.97% HEPA filter for silica safe operation.

Specifications

Model Number	LTS3
System Horsepower	2.6 Hp
Number of Hoses	1 x 2.0" Up to 50'
Air Flow - Inlet (CFM)	320
Vacuum (Maximum)	70 inches H ₂ O
Primary Filter Area (ft²)	24.4
Noise Level @ 3ft (dBa)	60
Weight (lbs)	240



Silica safe operation with a single-phase vacuum that just keeps on working.

Designed from the ground up to ensure the longest lasting filtration system, the LTS3 has more primary filter area of any other vacuum in its class.

astgroup.ca



905-821-8860

