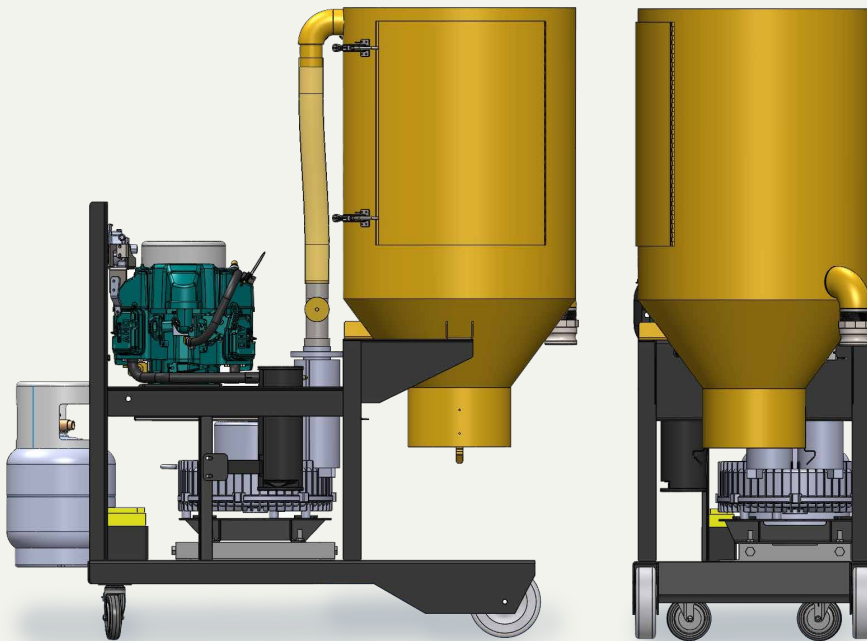


SILICA SERIES

# Lifetime™ LTP85 Silica Vacuum

The World's Most Durable Bagging Type Propane Vac



- Discharges collected material into an engineered control bag system.
- Filters so good they last years, not months. Low, low cost of ownership.
- HEPA filter built-in and designed for safe use with silica based materials.



The Lifetime™ LTP85 Silica Vacuum uses a Kohler EPA certified LPG engine for go-anywhere cleaning.

With upgraded steel and filters that last ten times longer than other brands, you'll get a vacuum with a low, low cost of ownership. A 14.5 Hp engine is perfect for cleaning heavy, silica-like sand even with 50 ft long hoses.

Meet OSHA laws with a rugged propane silica vac by DuroVac.



The DuroVac Lifetime LTP85 is a propane silica bagging vacuum that lasts.

**TRIPLE FILTRATION** means hassle-free operation when you're handling fine powders. At 99.9% efficiency, the primary filter media won't easily clog, so performance never drops as the hopper fills. Vacuum continuously without stopping the system to shake the filters.

- First-stage impaction separator with internal baffle plate to protect against abrasion.
- Large main filter in a baghouse-type format.
- 99.97% HEPA filter for silica safe operation.

## Specifications

<b>Model Number</b>	LTP85
<b>System Horsepower</b>	KOHLER 14.5 Hp EPA Cert
<b>Number of Hoses</b>	1 x 2.0" Up to 100'
<b>Air Flow - Inlet (CFM)</b>	380
<b>Vacuum (Maximum)</b>	11.5" Hg.
<b>Primary Filter Area (ft<sup>2</sup>)</b>	42.2
<b>Noise Level @ 3ft (dBa)</b>	88
<b>Weight (lbs)</b>	760



**Silica safe operation with a tough LPG vacuum that just keeps on working.**

Designed from the ground up to ensure the longest lasting filtration system, the LTP85 has more than double the primary filter area of any other vacuum in its class.

[astgroup.ca](http://astgroup.ca)

**AST GROUP**  
OF COMPANIES

905-821-8860

 **Air Separation Technologies Inc.**  
[astcanada.ca](http://astcanada.ca)

 **AST**  
Engineering Inc.  
[asterengineering.ca](http://asterengineering.ca)

 **AST**  
Mechanical Inc.  
[astmechanical.ca](http://astmechanical.ca)

 **STEVENSON SPRINKLER**  
& Fire Protection Ltd.  
[stevensonssprinkler.ca](http://stevensonssprinkler.ca)