

Instructions for Use Manual
Nilfisk CFM 3707/10
Nilfisk CFM 3907
Nilfisk CFM 3907/18

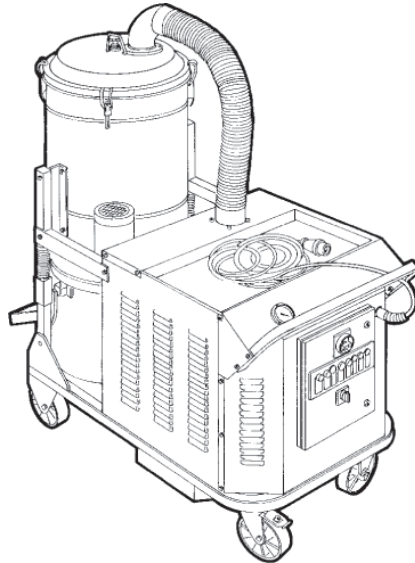


Table of contents

Operating instructions	4
Operator safety	4
General information about use of the vacuum cleaner	4
Proper uses.....	4
General recommendations.....	5
Description of the vacuum cleaner - Labels	6
Optional kits	6
Accessories.....	6
Packing and unpacking.....	7
Connection to the power supply.....	7
Extensions.....	7
Wet and dry applications.....	8
Maintenance and repairs.....	8
Technical data - Dimensions	9
Controls, indicators and connections	10
Inspections prior to starting.....	10
Starting up.....	10
Operating the vacuum.....	10
Cleaning the main filter	10
Emergency stopping	11
Emptying the container	11
At the end of a cleaning session	11
Maintenance, cleaning and decontamination.....	12
How to disassemble and replace the main and Hepa filters	12
Main filter replacement.....	12
Hepa/Ulpa filter replacement.....	13
Inspecting and cleaning the motor cooling fan.....	13
Seal inspection.....	13
Cleaning and replacing the separator	13
Disposal of the machine.....	13
Wiring diagrams	14
Recommended spare parts.....	14
Troubleshooting	14

Operating instructions

Read the operating instructions and comply with the important safety recommendations identified by the words:



WARNING!

Operator safety



WARNING!

Before starting the vacuum cleaner, it is absolutely essential to read these operating instructions and to keep them ready at hand for consultation. The vacuum cleaner can only be used by people who are familiar with the way it works and who have been explicitly authorized and trained for the purpose. Before using the vacuum cleaner, operators must be informed, instructed and trained on how to work it and for which substances its usage is permitted including the safe method for removing and disposing of the vacuumed material.

To reduce the risk of fire, electric shock, or injury:

- Do not leave appliance when plugged in. Unplug from outlet when not in use and before servicing.
- To reduce the risk of electrical shock, do not use outdoors or on wet surfaces.
- Do not allow this appliance to be used as a toy. This machine is for adult-use only.
- Use only as described in this manual. Use only the manufacturer's recommended attachments.
- Do not use with damaged cord or plug. If appliance is not working as it should, has been dropped, damaged, left outdoors or dropped into water, return it to a service center.
- Do not pull or carry by the cord, use cord as a handle, close a door on cord, or pull cord around sharp edges or corners. Do not run the appliance over the cord. Keep cord away from heated surfaces.
- Do not unplug by pulling on cord. To unplug, grasp the plug, not the cord.
- Do not handle plug, cord or appliance with wet hands.
- Do not put any object into the openings. Do not use with any opening blocked; keep free from dust, lint, hair, and anything that may reduce airflow.
- Keep hair, loose clothing, fingers, and all parts of the body away from openings and moving parts.
- Turn off all controls before unplugging.
- Use extra care when cleaning stairs.
- Do not use to pick up flammable or combustible liquids such as gasoline or use in areas where they may be present.
- Do not pick up anything that is burning or smoking, such as cigarettes, matches, or hot ashes, or any hazardous dusts.
- Do not use without dust bag/or filters in place.
- Connect to a properly grounded outlet only. See grounding instructions.

GROUNDING INSTRUCTIONS

This appliance must be grounded. If it should malfunction or breakdown, grounding provides a path of least resistance for electric current to reduce the risk of electric shock. This appliance is equipped with a cord that has an equipment-grounding conductor and grounding plug. The plug must be inserted into an appropriate outlet that is properly installed and grounded in accordance with all local codes and ordinances.



WARNING!

Improper connection of the equipment-grounding conductor can result in a risk of electric shock. Check with a qualified electrician or service person if you are in the doubt as to whether the outlet is properly grounded. Do not modify the plug provided with the appliance-if it will not fit the outlet, have a proper outlet installed by a qualified electrician.

Make sure that the appliance is connected to an outlet having the same configuration as the plug. No adapter should be used with this appliance. If the appliance must be reconnected for use on a different type of electric circuit, the reconnection should be made by a qualified service personnel.

General information about use of the vacuum cleaner

Use of the vacuum cleaner is governed by the laws in force in the country where it is used.

Besides the operating instructions and the laws in force in the country where the vacuum cleaner is used, the technical regulations for ensuring safe and correct work must also be observed. Do not carry out any work that could jeopardize the safety of people, property and the environment.

Comply with the safety recommendations in this instruction manual.

Proper uses

This appliance is suitable for collective use, e.g. in hotels, schools, hospitals, factories.

The vacuum cleaners described in this instruction manual are appliances designed for industrial use. They are produced in different versions and for different applications.

General Recommendations

**WARNING!**

Risk of fire outbreaks and explosions.

- The vacuum cleaner can only be used when it is certain that active sources of ignition are not going to be vacuumed.
- It is forbidden to vacuum the following materials: burning materials (hot ashes, lighted cigarettes, etc.), flammable liquids, aggressive fuels (e.g. gasoline, solvents, acids, alkaline solutions, etc.).
- It is forbidden to vacuum the following materials: explosive dusts or ones liable to ignite spontaneously (such as magnesium or aluminium dusts, etc.).
- The vacuum cleaner is not suitable for vacuuming explosive or similar substances, as established by the laws governing explosive substances, particularly: liquid fuels and mixtures of flammable dusts and liquids.

**WARNING!**

Emergency

If an emergency situation occurs:

- filter breakage;
- fire outbreak;
- short-circuit;
- motor block;
- electric shock;
- etc.,

turn off the vacuum cleaner, unplug it and ask for assistance from specialized personnel.

**WARNING!**

The vacuum cleaners must not be used or stored outdoors, or in damp places.

Only versions with the level sensor can be used for liquids.

If not, they can only be used to vacuum dry materials.

**WARNING!**

Version for liquids.

If foam or liquid spills from the machine, switch off immediately and check for the cause.

Description of the vacuum cleaner - Labels

Figure 1

- A. Identification plate: Code of the Model which includes, Technical Specifications, Serial Number, CE marking, Year of manufacture.
- B. Dust container
- C. Fastening latches
- D. On-off switch
- E. Handle
- F. Inlet
- I. Attention plate: Draws the operator's attention to the fact that the filter must only be purged when the machine is off (see par. "Cleaning the main filter").
- L. Exhaust
- M. Panel power plate: Indicates that the panel is powered by the voltage given on the data plate.
- N. Attention plate (voltage)

Only authorized personnel should be allowed access to the electrical control panel.

The electrical components must only be accessed after the power supply has been disconnected by setting main switch "D" to position -0- (off) and after having removed the plug from the current socket.

This vacuum cleaner creates a strong air flow which is drawn in through inlet "F" and blows out through exhaust "L"; after the hose and tools have been fitted, make sure that the motor turns in the right direction.

Before turning on the vacuum cleaner, fit the hose into the inlet and then fit the required tool on to the end part. Refer to the accessory catalog.

Only use genuine antistatic accessories.

The diameters of the authorized hoses are given in the technical specifications table.

This vacuum cleaner is equipped with an internal deflector which subjects the vacuumed substances to a circular centrifugal movement that makes them drop into the container.

The vacuum cleaner is equipped with a main filter which enables it to be used for the majority of applications.

Different types of main filter are available: standard and for dusts that are hazardous to the health.

Besides the main filter which retains the more common types of dust, the vacuum cleaner can be fitted with a secondary filter (Hepa H) with a higher filtering capacity for fine dusts and substances that are hazardous to the health.

Optional kits

Various optional kits are available for converting the vacuum cleaner:

- liquid shut-off kit;
- cyclonic separator;
- clamp and bracket;
- downstream Hepa filter;
- grate and bypass hose for plastic bag use;
- cartridge filter;
- electric filter shaker

On request, the vacuum cleaner can be supplied with optional kits already installed. However, they can also be installed at a later date.

Please contact customer service for further details.

Instructions describing how to fit the optional kits and the relative operation and maintenance manuals are supplied together with the optional kits themselves.



WARNING!

Only use genuine spare parts and accessories supplied and authorized by the manufacturer.

Accessories

Various accessories are available; refer to the Accessories Catalog.

Packing and unpacking

Dispose of the packing materials in compliance with the laws in force.

Figure 2

Box Dimensions

Model	3707/10	3907	3907/18
A (in)	36	36	36
B (in)	67	67	67
C (in)	77	77	77
Weight (lbs.)	734	838	838

Connection to the power supply



WARNING!

- Make sure that the vacuum cleaner is in good condition before commencing work.
- Before plugging the vacuum cleaner into the power supply, make sure that the voltage rating indicated on the data plate corresponds to that of the power supply.
- Plug the vacuum into a socket with a correctly installed ground contact/connection. Make sure that the vacuum cleaner is off.
- The plugs and connectors of the connection cables must be protected against water splashes.
- Make sure that connections to the power supply and plug are correct.
- Only use vacuum cleaner when the cables that connect to the power supply are in good condition (damaged cables could lead to electric shock!).
- Regularly check that the electric cable does not show signs of damage, excessive wear, cracks or ageing.



WARNING!

When the vacuum cleaner is operating, do not:

- Crush, pull, damage or tread on the cable that connects to the power supply.
- Only disconnect the cable from the power supply by removing the plug (do not pull the cable).
- Only replace the electric power cable with the same type as the original. The same rule applies if an extension is used.
- The power cord should be replaced by an authorized service center or by a qualified electrician.

Extensions

If an extension is used, make sure it is fit for the power draw and protection degree of the vacuum cleaner.



WARNING!

Sockets, plugs, connectors and installation of the extension cable must maintain the IP protection degree of the vacuum cleaner, as indicated on the data plate.



WARNING!

The vacuum cleaner's power socket must be protected by a differential circuit-breaker with surge current limitation, that shuts off the power supply when the current dispersed towards ground exceeds 30 mA for 30 ms or an equivalent protection circuit.



WARNING!

Never spray water on the vacuum cleaner: such action constitutes a danger hazard for persons and could short circuit the power supply.

Wet and dry applications



Note

1. *The supplied filters and the safety container (if applicable) must be installed correctly.*
2. *If the machine is used to clean up liquids, make sure that the liquid level sensor activates and operates in the correct way.*



WARNING!

Comply with the safety regulations governing the materials for which the vacuum cleaner is used.



WARNING!

If the wet cleaner variant is used:

- Make sure that the liquid level sensor operates correctly before using the vacuum cleaner to clean up liquids.
- If foam forms, immediately stop work and empty the container.
- Switch off the vacuum cleaner immediately if foam or liquid leaks out.
- Regularly clean the liquid level limiting device and check to make sure that there are no signs of damage.
- The dirty liquid collected by the vacuum must be considered conductive.

Maintenance and repairs



WARNING!

Disconnect the vacuum cleaner from its power source before cleaning, servicing, replacing parts or converting it to obtain another version/variant.

The plug must be removed from the socket.

- Only carry out the maintenance work described in this manual.
- Only use original spare parts.
- Do not modify the vacuum cleaner in any way.

Failure to comply with these instructions could jeopardize your safety. Moreover, such action would immediately void the CE declaration of conformity issued with the machine.



WARNING!

Contact the technical assistance service or sales network for maintenance operations not described in this manual.

Technical data - Dimensions

Technical data

	Units	3707/10	3907	3907/18
Voltage @ 60Hz	volts	200-240/440-480	440-480	440-480
Type of Power	no. of phases	3	3	3
Power	KW	9	12.6	15.3
Current Draw	amps	27.9/15.5	26	26
Waterlift, max.	inches H ₂ O	187	260	196
Airflow, max.	cfm	600	353	740
Filter Area, main	sq. ft.	48.4	48.4	48.4
Filter Area, HEPA (upstream)	sq. ft.	129	129	129
Filter Area, HEPA (downstream)	sq. ft.	186	186	186
Noise Level, @ 3'3" (1 meter)	dB(A)	78	78	78
Protection	IP	55	55	55
Insulation	Class	F	F	F
Tank Capacity	gallons	46	46	46
Machine Inlet	inches	4	4	4
Dimensions (l x w x h)	inches	65 x 32.7 x 70.9	65 x 32.7 x 70.9	65 x 32.7 x 70.9
Weight	lbs.	682	794	792
Cord Length	ft.	30	30	30
Filter Efficiency, HEPA	DOP-tested	99.995% @ 0.18 microns	99.995% @ 0.18 microns	99.995% @ 0.18 microns

Note

1. Storage conditions: T: - 10 ...+ 40 °C Humidity : ≤ 85%
2. Operating conditions: Maximum altitude 800 m (up to 2000 m with reduced performances) T: - 10 ...+ 40 °C Humidity : ≤ 85%

Dimensions

Figure 3

Model	3707/10	3907	3907/18
A (in)	65	65	65
B (in)	32.7	32.7	32.7
C (in)	70.9	70.9	70.9
Weight (lbs.)	682	794	792

Controls, indicators and connections

Figure 4

- A. Vacuum gauge
- B. Main switch (on "I" - off "0")
- C. Reverse phase indicator
- D. Thermal overload
- E. Power indicator
- F. Phase inverter
- G. Electric filter shaker start button (optional)
- H. Stop button
- I. Start button
- M. Visual level gauge
- N. Castor brakes
- O. Inlet
- P. Container release
- Q. Filter chamber
- R. Dust container
- S. Main filter shaker knob

Inspections prior to starting

Prior to starting, check that:

- The filters are installed;
- all latches are tightly locked;
- The hose and tools have been correctly fitted into inlet "F" (Fig. 5);
- The bag or safety container are installed, if applicable.
- Do not use the vacuum cleaner if the filter is faulty.

Starting up

- Lock the castor brakes "E" (Fig. 6) before starting the vacuum cleaner.
- Move switch "B" (Fig. 6) to the On position ("I").
- If the vacuum cleaner has been working and then stops and the indicator light "C" (Fig. 4) comes on, or if the vacuum cleaner motor turns in the wrong direction, turn it off and turn the inverter "F".

Operating the vacuum

Figure 7

1. RED ZONE
2. GREEN ZONE

Check the flow rate:

- When the vacuum cleaner is operating, the pointer of the vacuum gauge "A" (Fig. 7) must remain in the green zone (OK) to ensure that the speed of the intake air does not drop below the safety value of 20 m/s.
- If the pointer is in the red zone (STOP), it means that the speed of the air in the hose is below 20 m/s and that the vacuum cleaner is not working safely. Clean or replace the filters.
- When the hose is blocked, the pointer of the vacuum gauge must switch from the green zone (OK) to the red zone (STOP).



WARNING!

When the vacuum cleaner is operating, always check to make sure that the vacuum gauge pointer remains in the green zone (OK).

Consult the "Troubleshooting" chapter if problems occur.

Cleaning the main filter

Depending on the quantity of dust cleaned up, shake the main filter by means of the knob "J" (Fig. 8) when the vacuum gauge pointer "A" (Fig. 7) switches from the green zone (OK) to the red zone (STOP).



WARNING!

Stop the machine before shaking the filter.

Do not shake the filter while the machine is on as this could damage the filter.

Wait before restarting the vacuum cleaner, to allow the dust to settle.

Replace the filter element if the pointer still remains in the red zone (STOP) even after the filter has been shaken (consult the "Main filter replacement" section).

Emergency stopping

Press the stop button "H" (Fig. 4).

Emptying the container



WARNING!

- **Turn off the machine and remove the plug from the power socket before proceeding with this operation.**

Before emptying the container it is advisable to clean the filter (see "Shaking the main filter" sect.).

- A. Standard version, not suitable for treating hazardous dust
- Release the container "I" (Fig. 9), then remove and empty it.
 - Make sure that the seal is in good condition and correctly positioned.
 - Place the container back in position and use the lever to secure it again.

Plastic liner:

A plastic liner (our code 40100) can be used to collect dust (Fig. 9).

In this case, the machine must be equipped with optional accessories (grill and depressor - Fig. 9).



WARNING!

- **In compliance with current laws, these operations can only be carried out by trained and specialized personnel who must wear adequate clothing.**
- **Take care not to agitate the dust during this operation. Wear a protective mask.**
- **A plastic liner can be used (our code 40100) if dust that is dangerous and/or hazardous for the health must be removed.**
- **The container and/or liner must only be disposed of by trained personnel and in compliance with the current laws in force.**

Use as a wet cleaner

Make sure that the vacuum cleaner is equipped with a float (liquid level sensor) and is suitable for use as a wet cleaner.

Do not clean up flammable liquids.

If foam forms, stop work immediately and empty the container.

The filter will be wet after liquids have been cleaned up.

A wet filter can quickly become clogged if the vacuum cleaner is then used to clean up dry substances.

For this reason, make sure that the filter is dry or replace it with another one before using the vacuum cleaner to clean up dry materials.

At the end of a cleaning session

1. Turn off the vacuum cleaner and remove the plug from the socket.
2. Coil the power cable (Fig. 11).
3. Empty the container as described in the "Emptying the container" section.
Clean the vacuum cleaner as described in the "Maintenance, cleaning and decontamination" section.
4. Wash the container with clean water if aggressive substances have been cleaned up.
5. Store the vacuum in a dry place, out of the reach of unauthorized people.
6. Shut the inlet with the appropriate plug "A" (Fig. 11) when the vacuum cleaner is not being used.

Maintenance, cleaning and decontamination



WARNING!

NOTE: The precautions described below must be taken during all the maintenance operations, including cleaning and replacing the main and Hepa filters.

- A. To allow the user to carry out the maintenance operations, the vacuum must be disassembled, cleaned and overhauled as far as reasonably possible, without causing hazards for the maintenance staff or other people. The suitable precautions include decontamination before disassembling the vacuum, adequate filtered ventilation for the air exhausted from the room in which it is disassembled, cleaning of the maintenance area and suitable personal protection.
- B. **Hazardous material collection:** The external parts of the vacuum must be decontaminated by cleaning and vacuuming methods, dedusted or treated with sealant before being taken out of a hazardous zone. All parts of the appliance must be considered as contaminated when they are removed from the hazardous zone and appropriate actions must be taken to prevent dust from dispersing. When servicing work or repairs are carried out, all the contaminated elements that cannot be cleaned well must be eliminated. These elements must be disposed of in sealed bags conforming to the applicable regulations and in accordance with the local laws governing the disposal of such material. This procedure must also be followed when the filters are eliminated (main, Hepa and downstream filters).

NOTE: Compartments that are not dust-tight must be opened with suitable tools (screwdrivers, wrenches, etc.) and thoroughly cleaned.

- C. Carry out a technical inspection at least once a year, e.g.: check the air filters to find out whether the airtightness of the appliance has been impaired in any way and make sure that the electric control panel operates correctly. This inspection must be carried out by the manufacturer or by a qualified person.



WARNING!

Only use genuine spare parts.

How to disassemble and replace the main and Hepa filters



WARNING!

When the vacuum cleaner is used to clean up hazardous substances, the filters become contaminated, thus:

- work with care and avoid spilling the vacuumed dust and/or material;
- place the disassembled and/or replaced filter in a sealed plastic bag;
- seal the bag tightly;
- dispose of the filter in accordance with the current laws.



WARNING!

Filter replacement is a serious matter. The filter must be replaced with one of identical characteristics, filter surface and category. Otherwise, the vacuum cleaner will not operate correctly.

Main filter replacement



WARNING!

Take care not to agitate the dust when this operation is carried out. Wear a mask and other protective clothing plus protective gloves (DPI) suited to the hazardous nature of the dust collected. Refer to the relative laws in force.

Before proceeding with this operation, turn off the machine and remove the plug from the power socket.

Disassembly

- Remove the hose "A" (Fig. 12) from the lower outlet.
- Release stop "B" (Fig. 12) and unscrew filter shaker knob "C".
- Release the two fastening latches "D" (Fig. 12) and remove lid "E".
- Lift filter "F" (Fig. 12), unscrew clamp "G" and remove ring "H".
- Unscrew cage "I" (Fig. 12) and turn the filter upside down.
- Cut the plastic clamps "L" (Fig. 12) and detach the cage from the filter.

Assembly

- Fit the filter catch and retention ring of the old filter on to the new one.
- Insert cage "I" (Fig. 12) and fix it to the filter by means of plastic clamps "L" on the bottom of the filter itself.
- Fit the filter into filter chamber then mount lid "E" (Fig. 12) and lock it in place with the two fastening latches "D".
- Fit the filter shaker knob and lock it in the lowered position by means of the stop so that the filter is kept stretched.
- Fit the suction hose on the lower outlet.
- Dispose of the filter in accordance with the laws in force.

Hepa/Ulpa filter replacement



WARNING!

Do not agitate the dust when this operation is carried out. Wear a mask and other protective clothing plus protective gloves (DPI) suited to the hazardous nature of the dust collected. Refer to laws in force.

Replacing the upstream Hepa filter

- Unscrew knob "A" (Fig. 13);
- Remove cover "B" (Fig. 13);
- Release knob filter "C" (Fig. 13), cover the filter "D" with a plastic bag and remove everything;
- Seal the bag, fit the new filter and close the cover.

Inspecting and cleaning the motor cooling fan

Periodically clean the motor cooling fan to prevent the electric motor from overheating, particularly if the appliance is used in a dusty place.

Seal inspection

Checking the condition of the hoses

Make sure that connecting hoses "A", "B" and "C" (Fig. 14) are in a good condition and correctly secured.

If the hoses are damaged, broken or badly connected to the inlet, they must be replaced.

When sticky materials are treated, check for possible clogging along hose "C" (Fig. 14), in outlet and on the baffle in the filter chamber.

Scrape outside the outlet and remove the deposited waste as indicated in figure 14.

Checking the lid seal

If seal "A" (Fig. 15) under lid "D" has become slack, unscrew screws "B" that lock fastening latches "C" in place and allow them to slide downwards until lid "D" closes tightly.

Now tighten locking screws "B" (Fig. 15).

Replace seal "A" (Fig. 15) if an optimum seal cannot be obtained.

Checking the seal of filter chamber

If seal "A" (Fig. 16) between the container and filter chamber "C" fails to secure:

- loosen the four screws "B" (Fig. 16) that lock filter chamber "C" against vacuum structure.
- Allow filter chamber "C" (Fig. 16) to lower down and relock screws "B" once it has reached the retention position.

The seal must be replaced if it is torn, cut, etc.

Replace seal "A" (Fig. 16) if the seal is still not optimum.

Cleaning and replacing the separator



Note

If there is only a dust deposit on separator "D" (Fig. 17), allow the dust to drop through the central hole.

Separator "D" (Fig. 17) should first be disassembled in order to be cleaned:

- release latches "A" (Fig. 17) that fasten lid "B" and remove the lid.
- Remove the filter.
- Unscrew the two screws "C" (Fig. 17) and remove separator from the container.
- Replace the part if excessively worn.
- Assemble separator "D" (Fig. 17) again.
- Lock it in position by screwing the two screws "C" (Fig. 17).
- Refit the filter and close cover "B" (Fig. 17), locking it in place with the two fastening latches "A".

Disposal of the machine

Dispose of the machine in compliance with the current laws in force.

This vacuum should not be disposed with other waste at the end of its working life. To prevent possible harm to the environment or human health from uncontrolled waste disposal, please separate this from other types of wastes and recycle it responsibly to promote the sustainable reuse of material resources.

Users should contact their supplier and check the terms and conditions of the purchase contract. This product should not be mixed with other commercial wastes for disposal.

Wiring diagrams

Basic machine (1/3)

Figure 18

1. MAIN DISCONNECTOR
2. INVERTER
3. THREEPOLAR FUSING HOLDER
4. THERMAL RELAY
5. VACUUM
6. FUSING HOLDER TRANSFORMER

Model	Fuse type "F1"
3707	3 x 25 A
3707/10	3 x 35 A
3907-3907W	3 x 50 A

Basic machine (2/3)

Figure 19

1. TRANSFORMER
2. VOLTAGE INDICATOR
3. VOLTAGE INDICATOR
4. RED LAMP
5. WHITE LAMP

Basic machine (3/3)

Figure 20

1. STOP PULSE
2. START PULSE
3. LINE CONTACTOR
4. HOURS COUNTER
5. STAR-DELTA TIMER
6. STAR CONTACTOR
7. DELTA CONTACTOR
8. WIRE UP WITH A 1 mm² RED WIRE WHERE NOT SPECIFIED.

Electric filter shaker (1/1)

Figure 21

1. STOP PULSE
2. START PULSE
3. LINE CONTACTOR
4. HOURS COUNTER
5. STAR-DELTA TIMER
6. STAR CONTACTOR
7. DELTA CONTACTOR
8. FILTER SHAKER CONTACTOR
9. FILTER SHAKER PULSE
10. WIRE UP WITH A 1 mm² RED WIRE WHERE NOT SPECIFIED.

Phase sequence (1/3)

Figure 22

1. MAIN DISCONNECTOR
2. INVERTER
3. THREEPOLAR FUSING HOLDER
4. PHASE SEQUENCE RELAY
5. THERMAL RELAY
6. VACUUM
7. FUSING HOLDER TRANSFORMER

Model	Fuse type "F1"
3707	3 x 25 A
3707/10	3 x 35 A
3907-3907W	3 x 50 A

Phase sequence (2/3)

Figure 23

1. TRANSFORMER
2. VOLTAGE INDICATOR
3. THERMAL INDICATOR
4. PHASE SEQUENCE INDICATOR
5. YELLOW LAMP
6. RED LAMP
7. WHITE LAMP

Phase sequence (3/3)

Figure 24

1. STOP PULSE
2. START PULSE
3. LINE CONTACTOR
4. HOURS COUNTER
5. STAR-DELTA TIMER
6. STAR CONTACTOR
7. DELTA CONTACTOR
8. WIRE UP WITH A 1 mm² RED WIRE WHERE NOT SPECIFIED.

Cartridge kit (1/1)

Figure 25

1. TS2 TIMER SEQUENCE
2. FILTER 1 CLEAN ELECTROVALVE
3. FILTER 2 CLEAN ELECTROVALVE
4. FILTER 3 CLEAN ELECTROVALVE
5. FILTER 4 CLEAN ELECTROVALVE
6. T3 / P2 = TIME IN THE MIDDLE OF CLEANING CYCLES
7. T1 / WORK = FILTER CLEANING TIME
8. T2 / P1 = WORK HOLD TIME

Recommended spare parts

The following is a list of spare parts that should be kept on hand in order to speed up maintenance work.

List of recommended spare parts

Figure 26

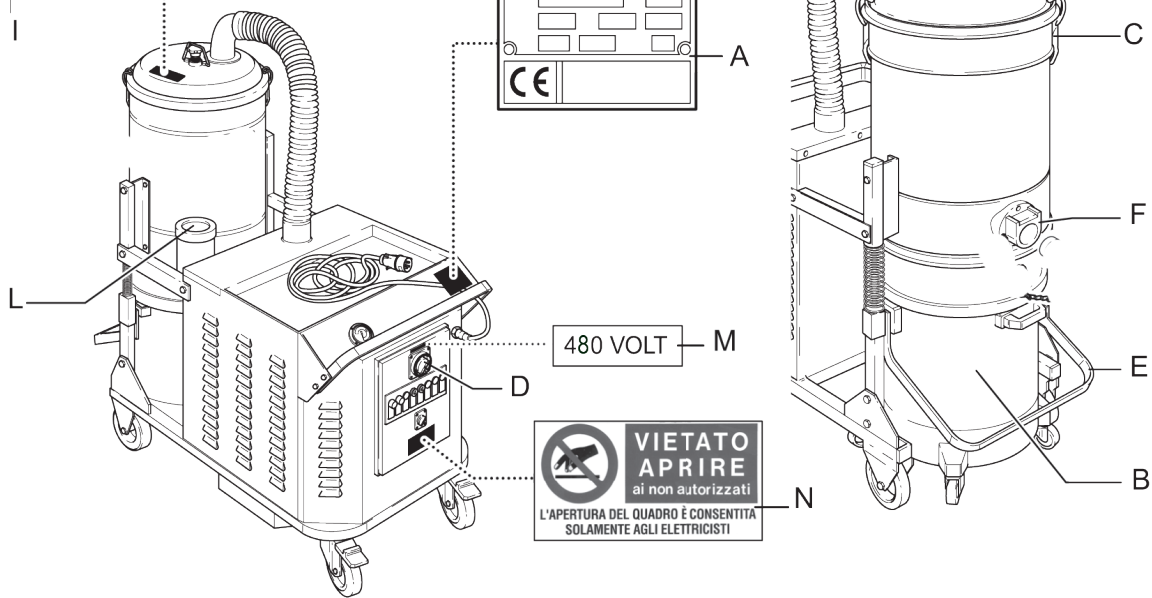
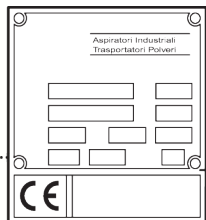
Pos.	Description	Mod.	Dimensions (mm)	Code No.
1	Standard main filter		Ø 560	8 17081
2	PVC coated main filter		Ø 560	8 17246
3	Filter ring		Ø 560	8 15005
4	Filter ring seal		Ø 560	8 17027
5	Filter clamp		Ø 560	8 18081
6	Upstream Hepa filter "H"		Ø 400x400	8 17264
7	Downstream Hepa filter		475x610x292	8 17093
8	Container / Lid		Ø 560	8 30090

Troubleshooting

Problem	Causes	Remedies
The vacuum suddenly stops	Clogged main filter	Shake the filter. Replace it if this is not sufficient
	Clogged suction hose	Check the suction hose and clean it
	Motor protector tripper	Check the setting. Check the power draw of the motor. Contact an authorized after-sales service center if necessary
Dust leaks from the vacuum	The filter is torn	Change it with another of identical category
	Inadequate filter	Change it with another of a suitable category and check
The vacuum blows instead of sucking	Incorrect connection to the power source	Remove the plug and invert two of the live wires
Electrostatic current on the vacuum	Non-existent or inefficient grounding	Check all ground connections. Particularly check the suction inlet. The hose must be strictly antistatic

1

ATTENZIONE! WARNING! ATTENTION! ACHTUNG! ATENCION!
 • SCUOTERE SOLO A MACCHINA SPENTA •
 • SHAKE THE FILER ONLY WHEN THE EX-HAUSTER IS OFF •
 • SECOUER SEULEMENT APRES AVOIR DEBRANCHE L'APPAREIL •
 • NUR BEI STEHENDEN MASCHINE BEFÖRGEN •
 • SACUDIR SOLO CON MAQUINA PARADA •

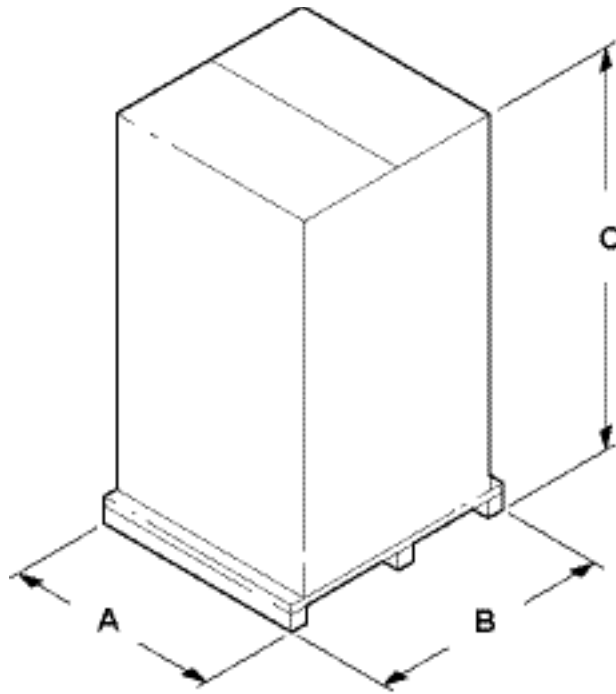


480 VOLT — M

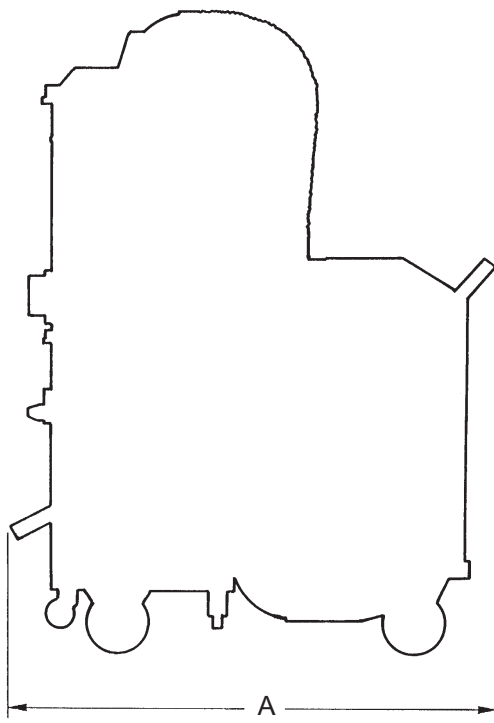
VIETATO APRIRE
ai non autorizzati
L'APERTURA DEL QUADRO È CONSENTITA SOLAMENTE AGLI ELETTRICISTI

3707LMH10

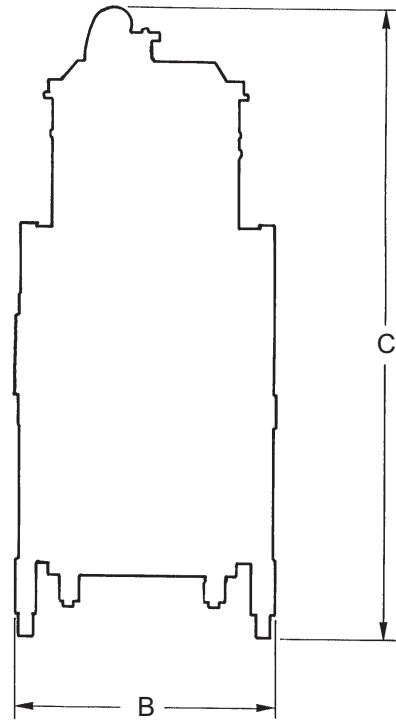
2



3

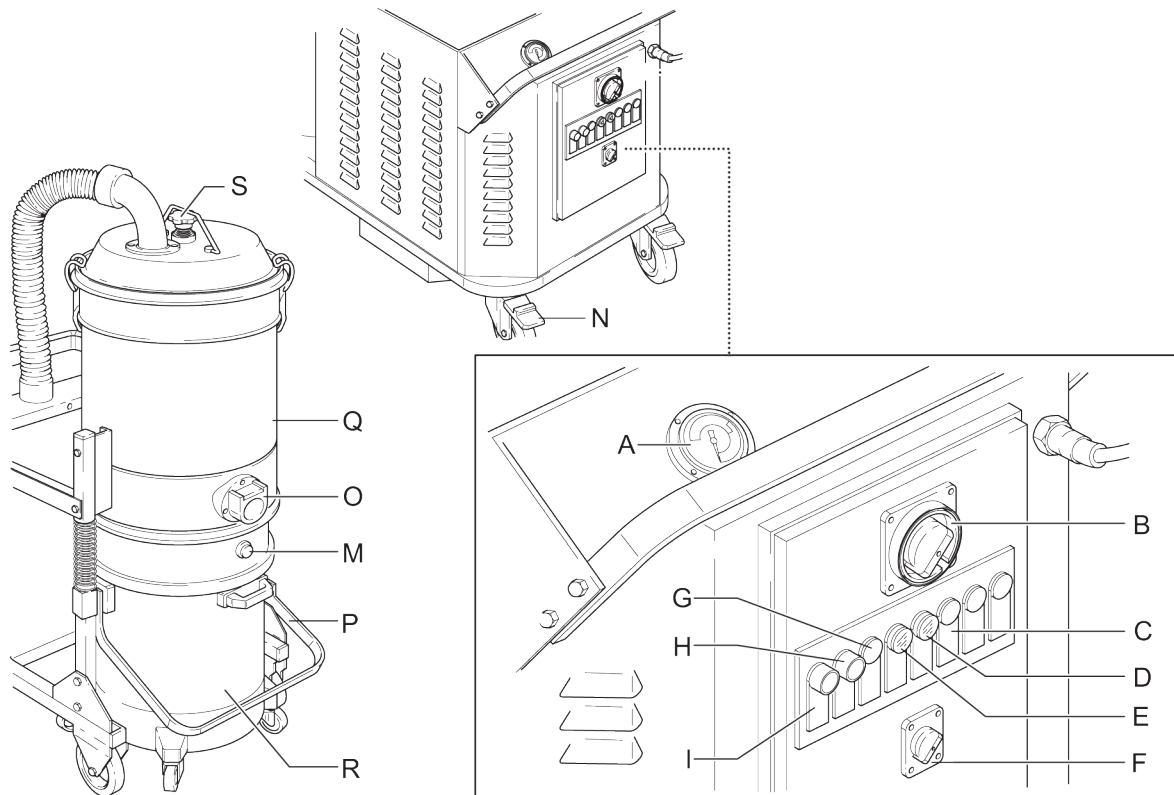


3707LMH11



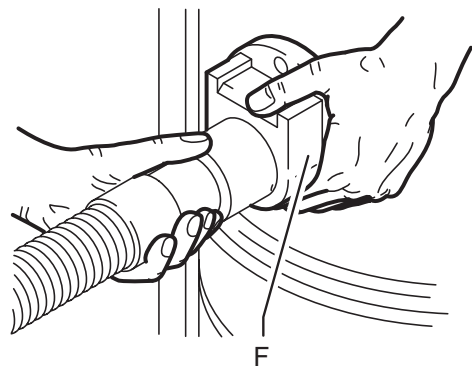
3707LMH12

4



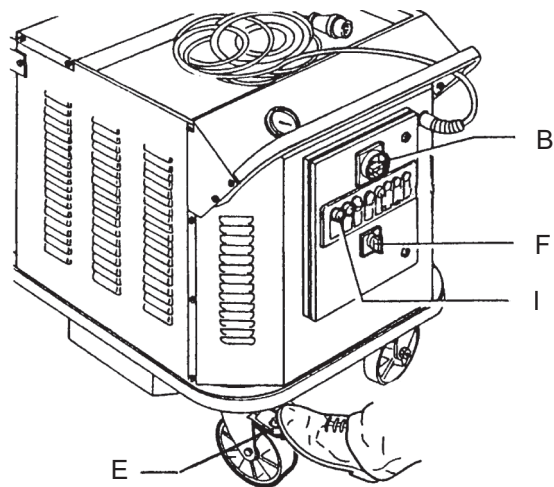
3707LMH09

5



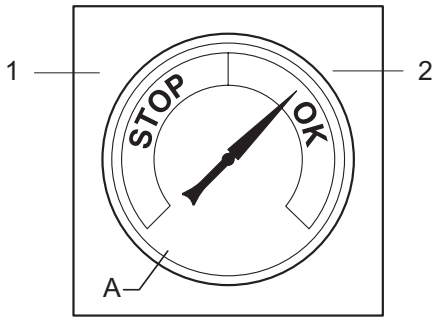
3307LMH11

6



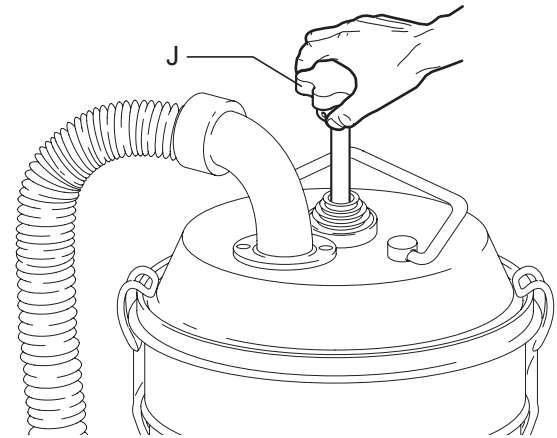
3707LMH03

7



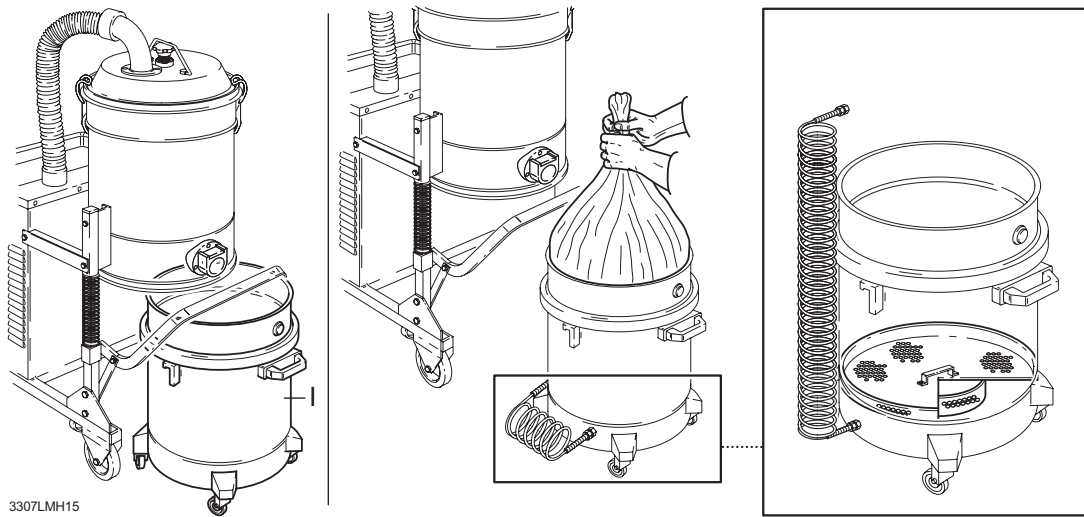
3307LMH13

8



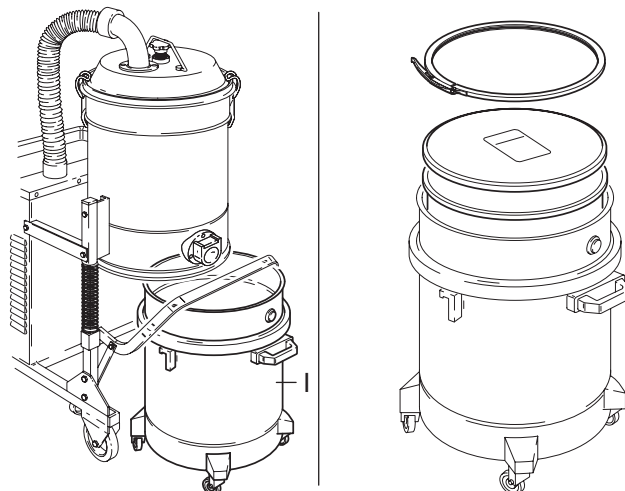
3307LMH14

9

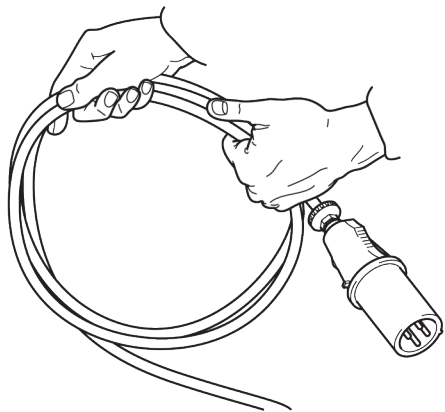


3307LMH15

10

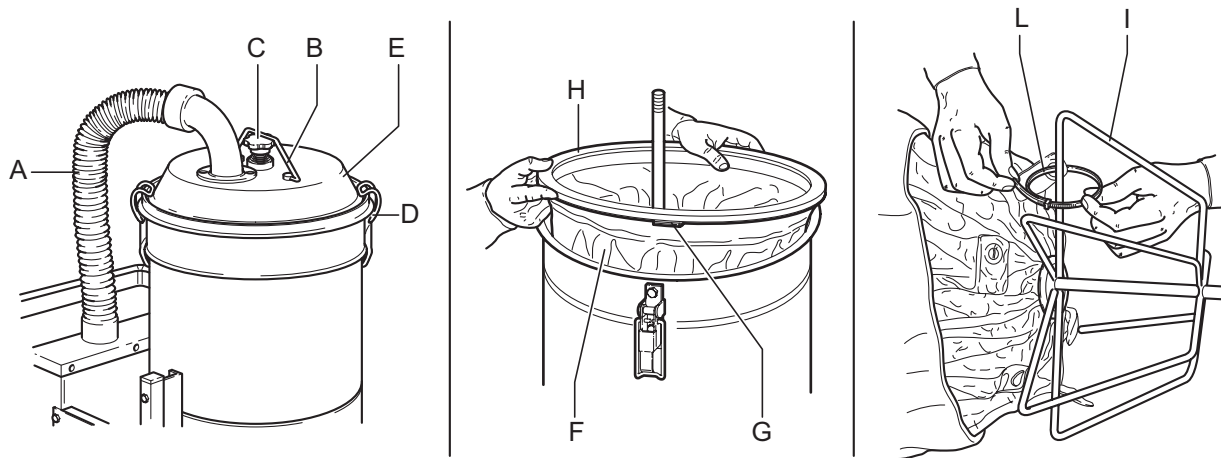


11



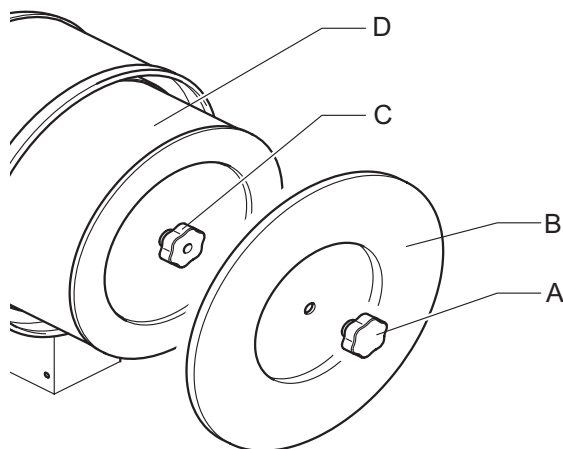
3307LMH17

12



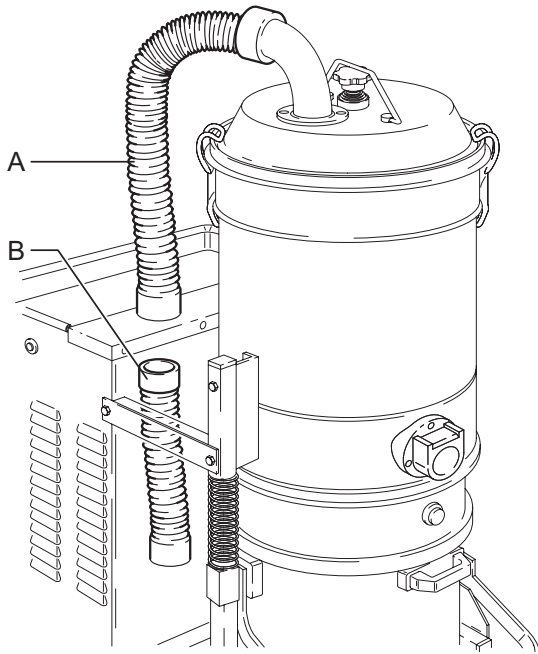
3307LMH18

13

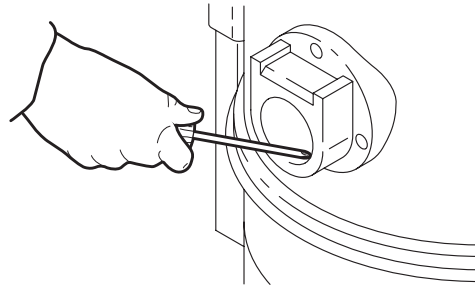
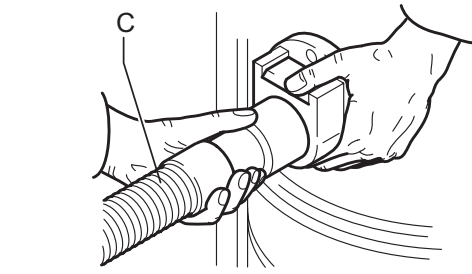


3307LMH20

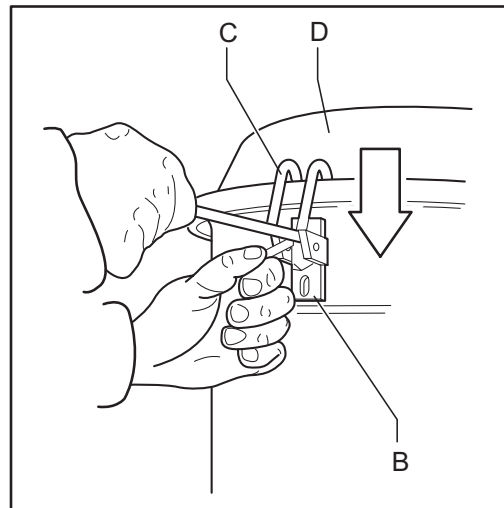
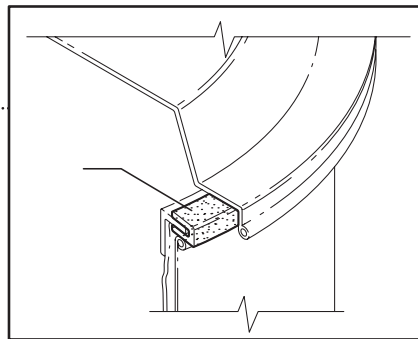
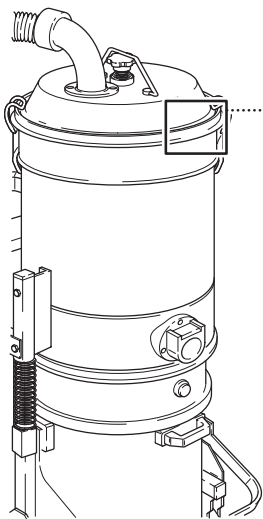
14



3707LMH04

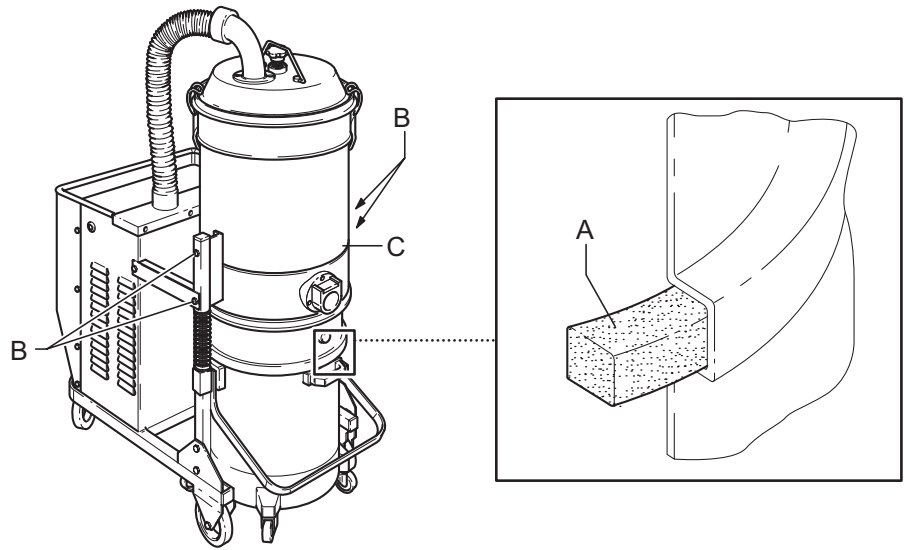


15



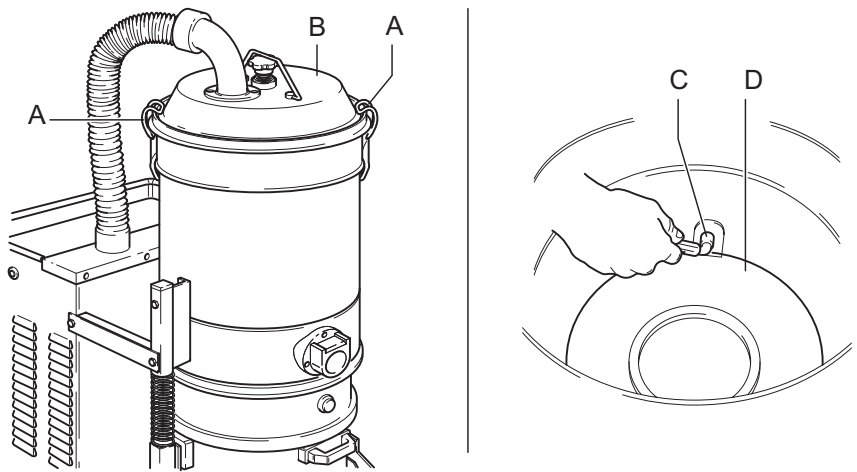
3307LMH22

16



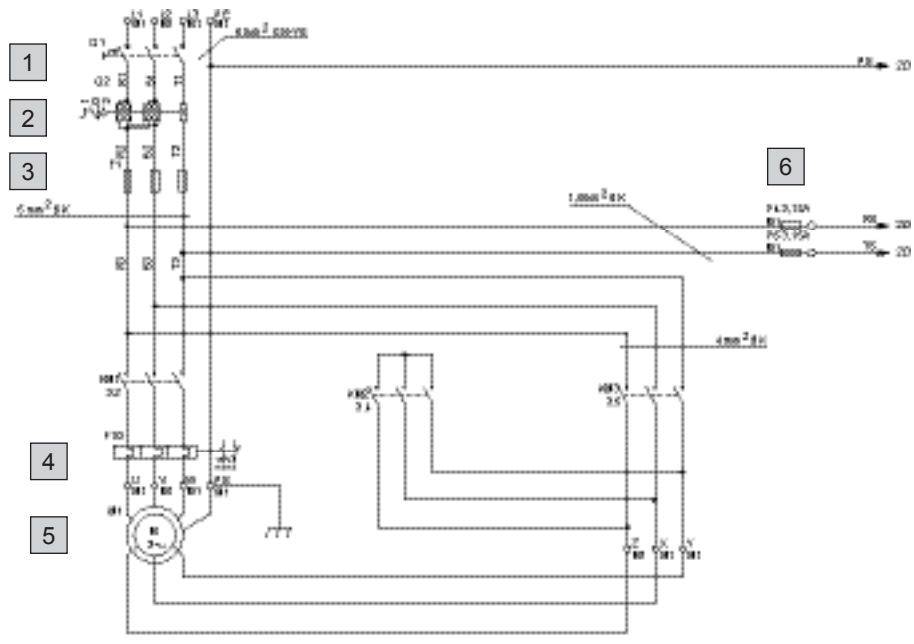
3307LMH23

17



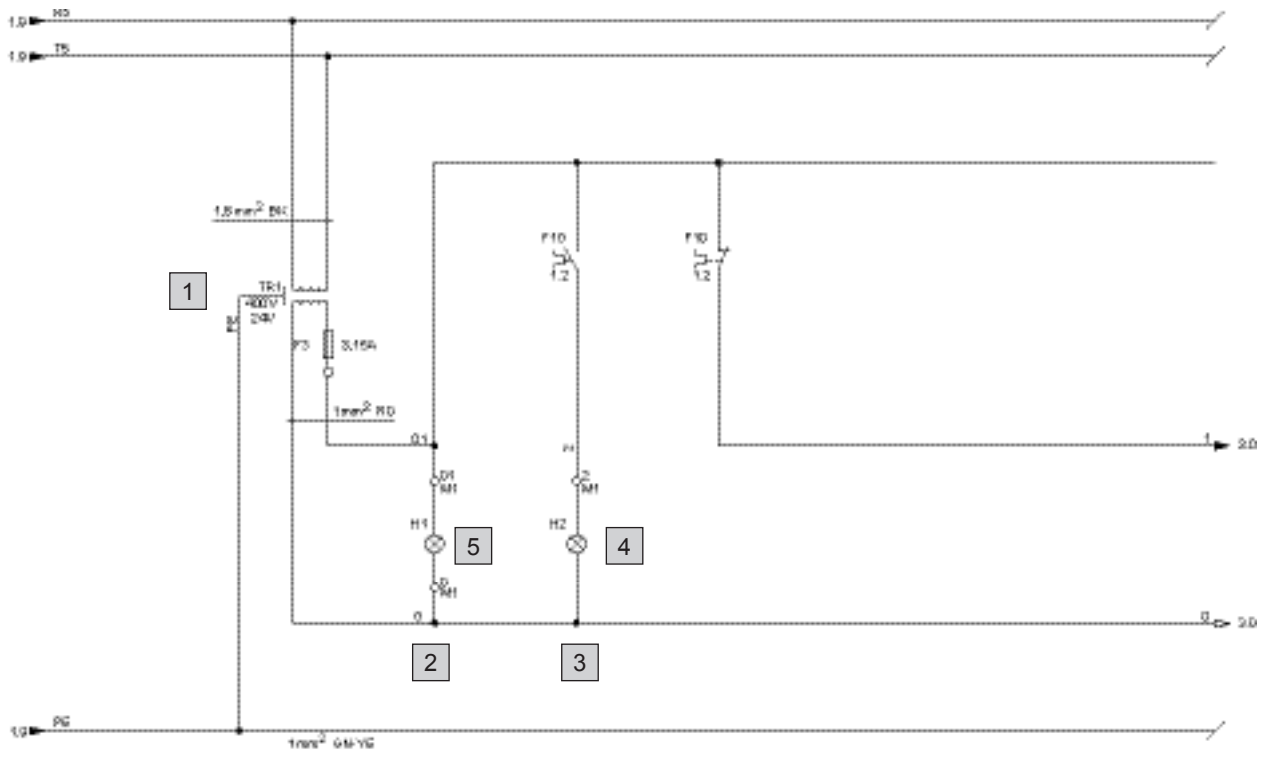
3707LMH05

18



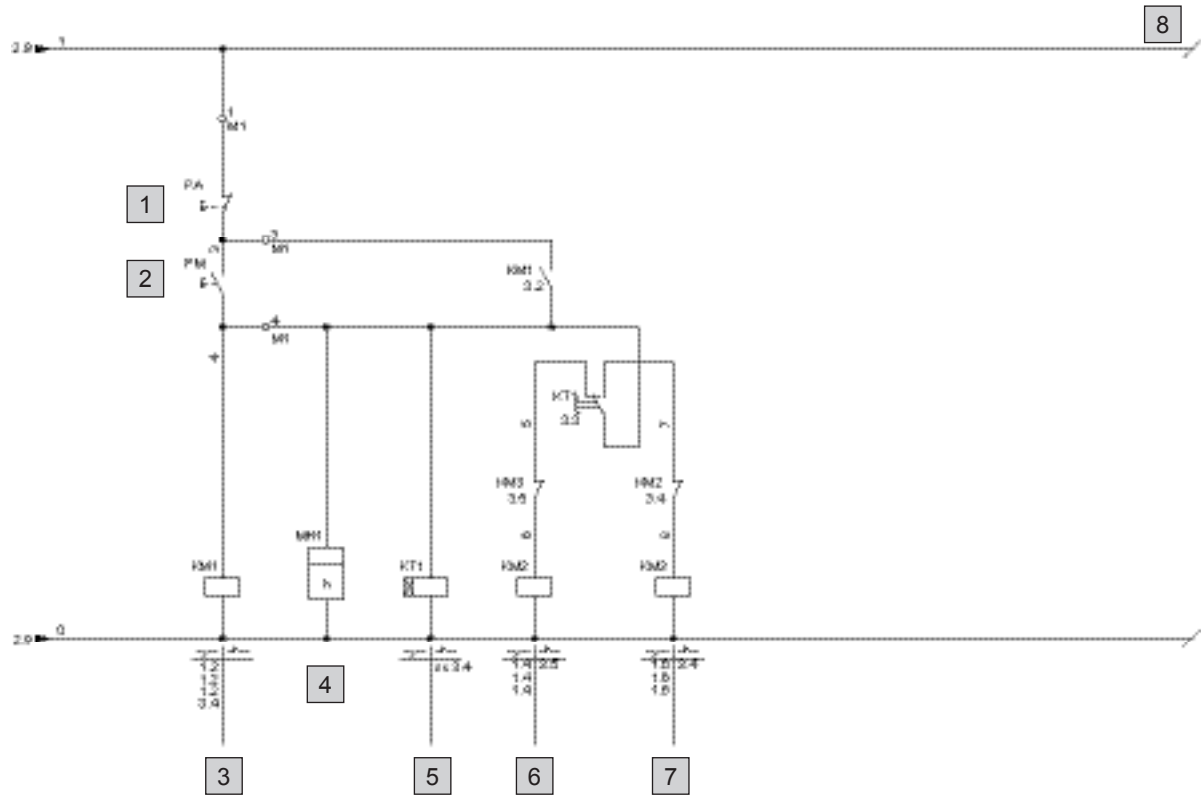
42440_01

19



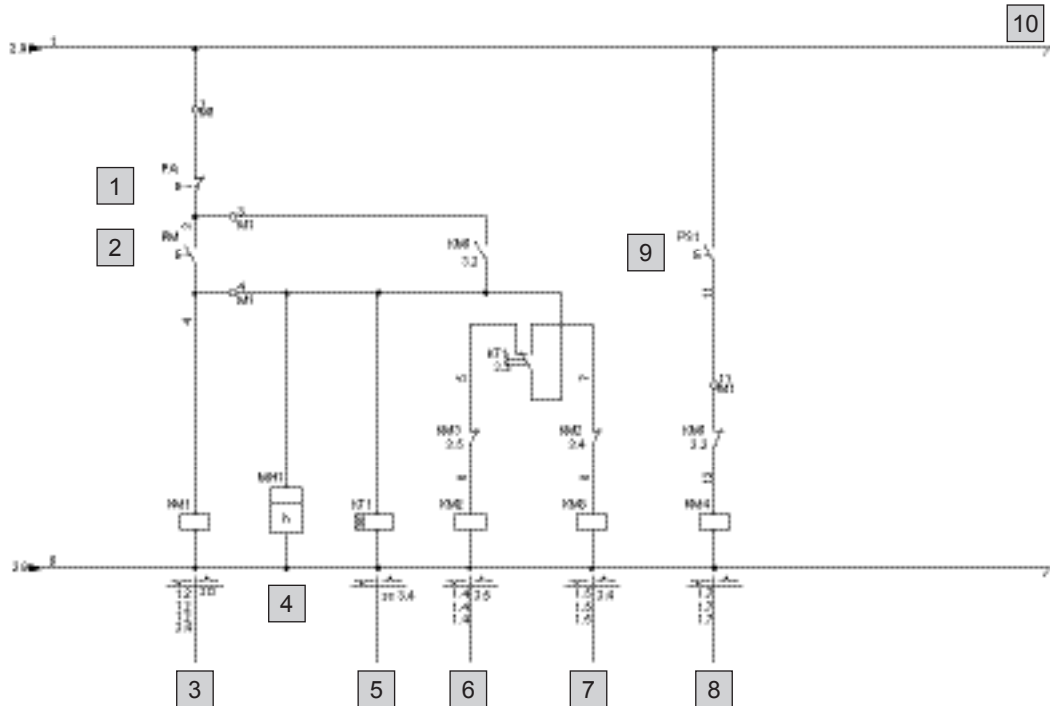
42440_02

20



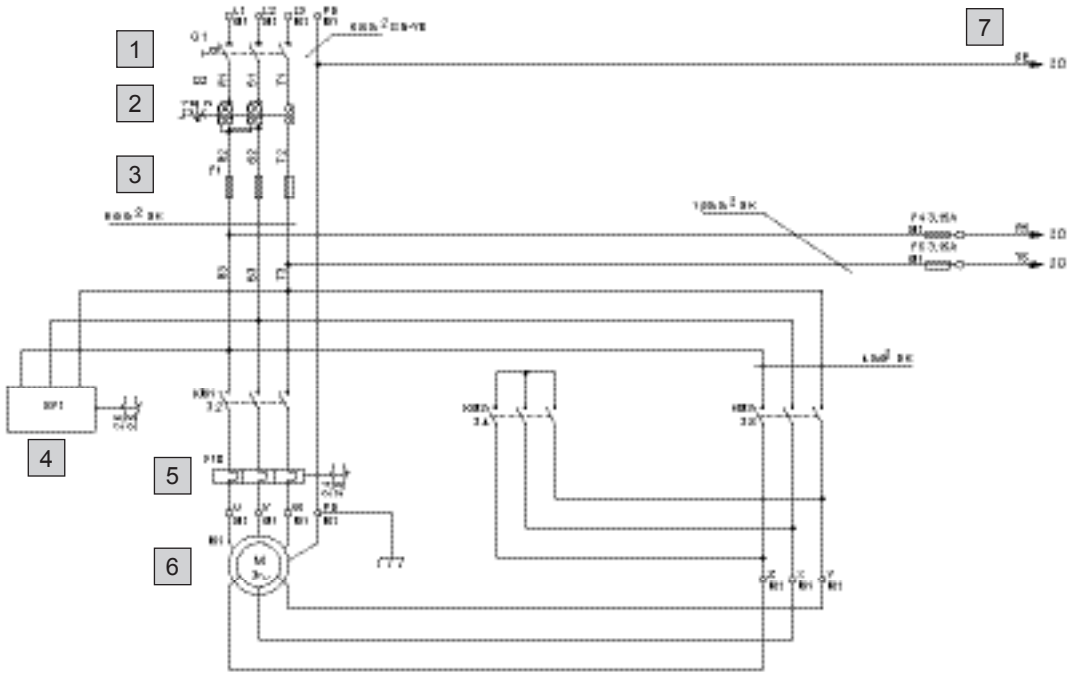
40440_03

21

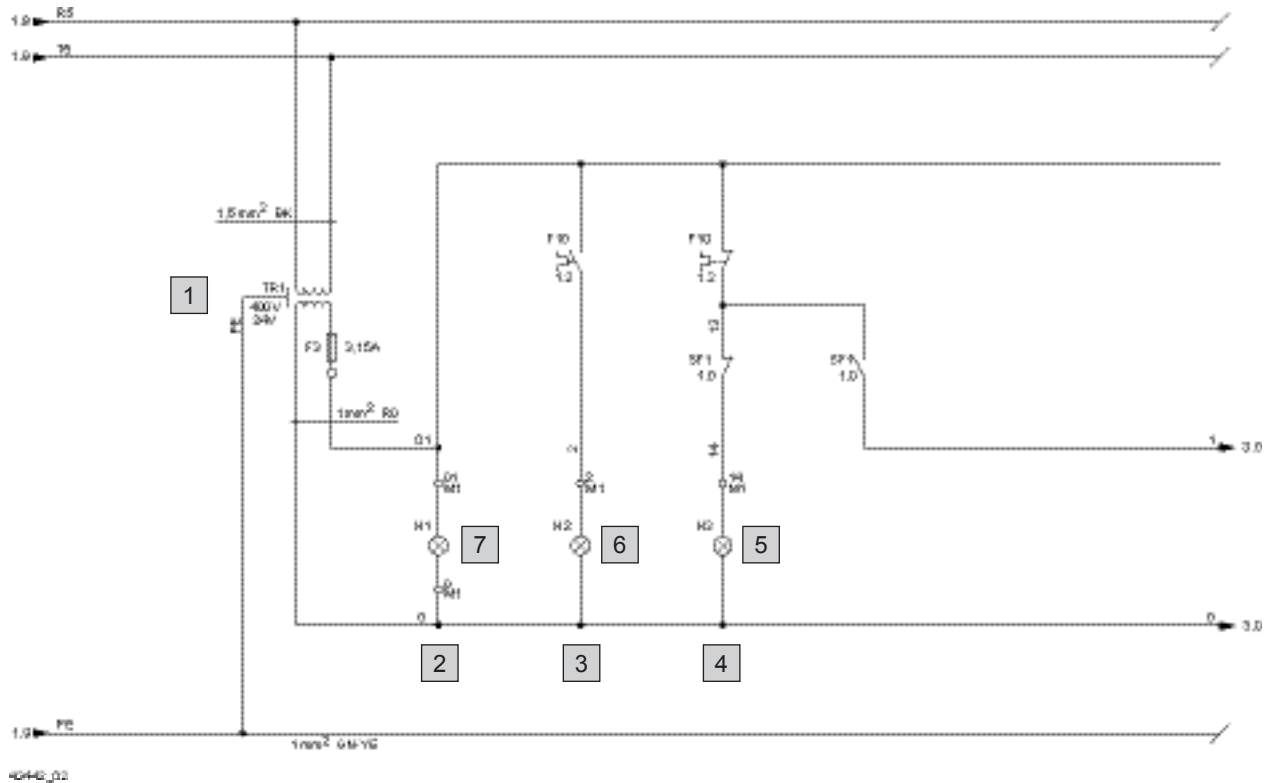


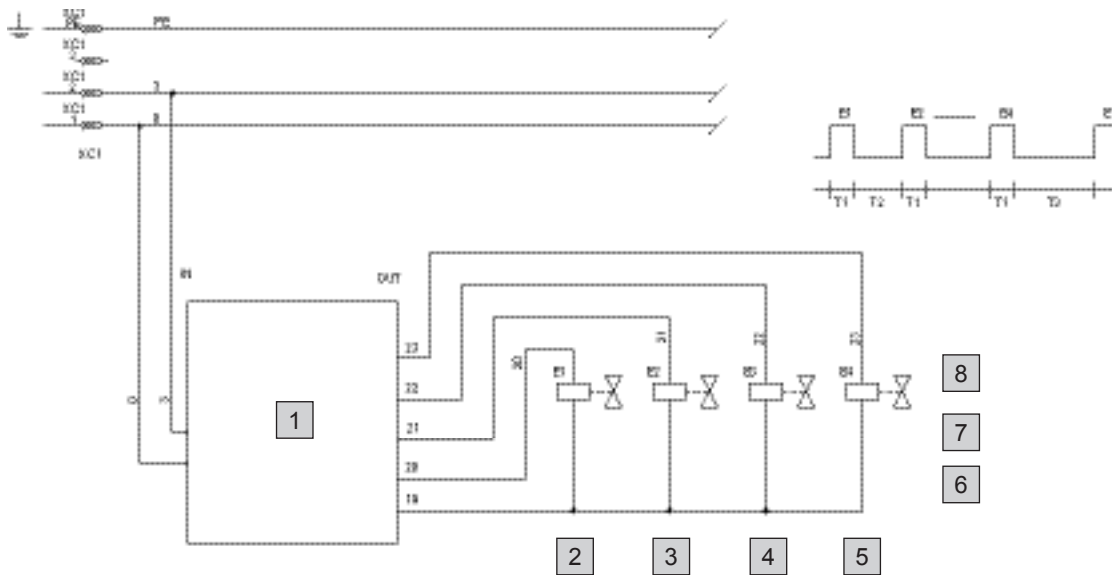
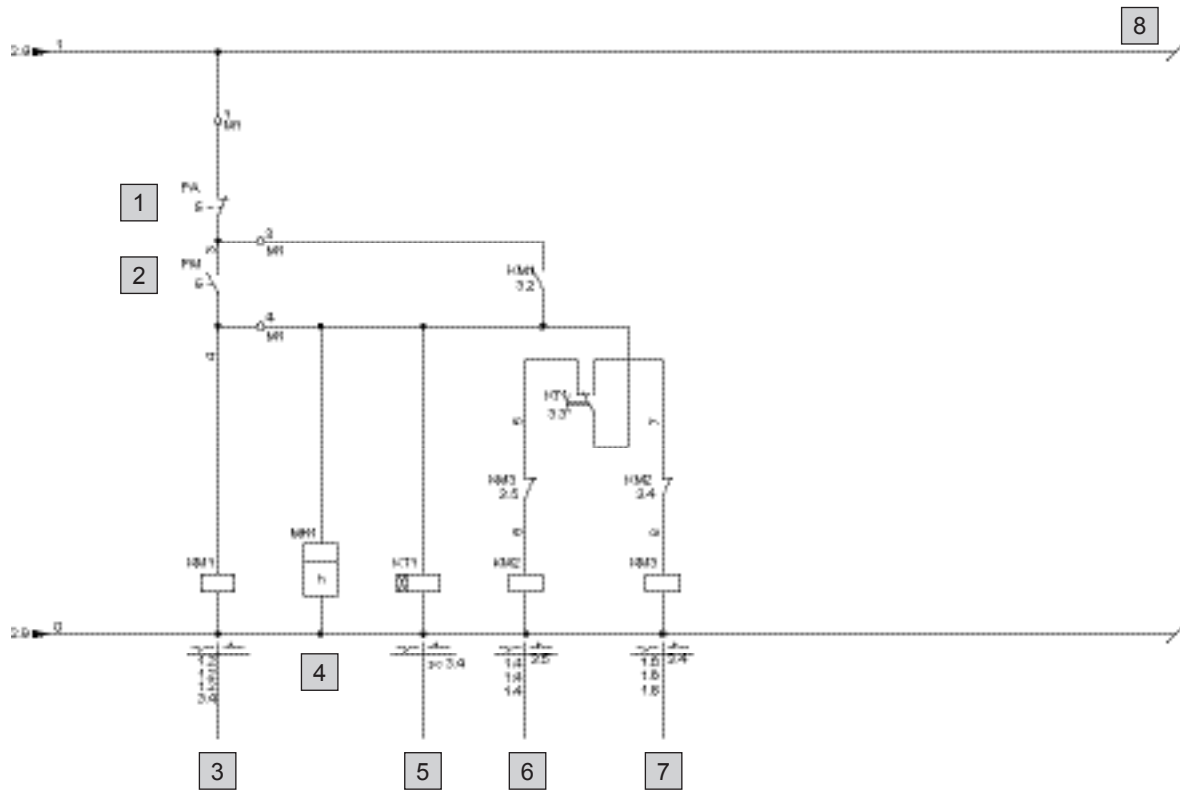
40441_1

22

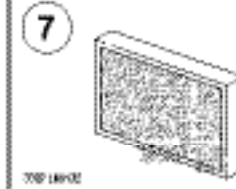
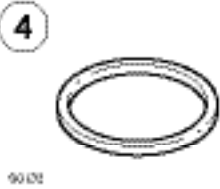
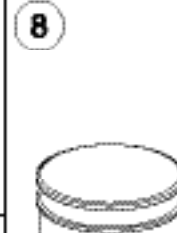
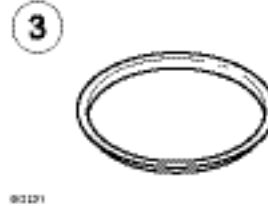
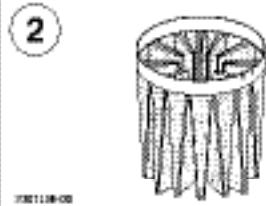


23





26



Nilfisk cfm

astgroup.ca



AST GROUP
OF COMPANIES

905-821-8860

 **Air Separation
Technologies Inc.**
astcanada.ca

 **AST**
Engineering Inc.
astengineering.ca

 **AST**
Mechanical Inc.
astmechanical.ca

STEVENSON SPRINKLER.ca
& Fire Protection Ltd.
stevenson sprinkler.ca