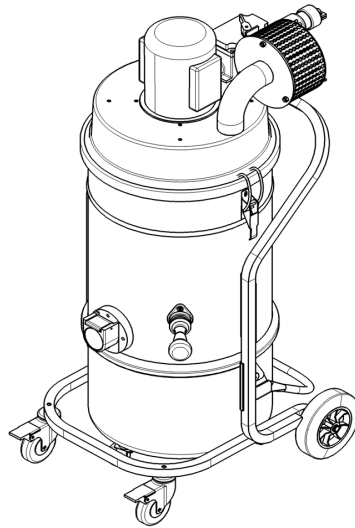


**ELECTRIC EXPLOSION PROOF VACUUM CLEANER MODEL
MODELO DE ASPIRADOR ELÉCTRICO A PRUEBA DE EXPLOSIÓN
ASPIRATEUR ANTI-DÉFLAGRANT ÉLECTRIQUE MODÈLE**

118EXP

(dry use only) (sólo uso en seco) (utilisation sèche seulement)



**INSTRUCTIONS FOR USE
INSTRUCCIONES DE USO
INSTRUCTIONS D'UTILISATION**

**For Use in Class I - Group D
Class II - Group E, F and G Hazardous Locations**

**Para la utilización en lugares peligrosos de
clase I - grupo D, Clase II - grupo E, F y G**

**Pour utilisation dans les emplacements
dangereux de Classe I - Groupe D, Classe II - Groupes E, F et G**

**CAUTION: TO INSURE THE SAFE USE OF THIS VACUUM MACHINE,
OPERATORS MUST READ AND UNDERSTAND THE FOLLOWING
INSTRUCTIONS BEFORE ATTEMPTING TO PLACE THE MACHINE IN SERVICE**

**ATENCIÓN: PARA GARANTIZAR LA UTILIZACIÓN SEGURA DE ESTE ASPIRADOR,
LOS OPERADORES DEBEN LEER Y COMPRENDER LAS SIGUIENTES
INSTRUCCIONES ANTES DE INTENTAR PONER LA MÁQUINA EN MARCHA**

**MISE EN GARDE: AFIN D'ASSURER UNE UTILISATION SECURITAIRE DE CET
ASPIRATEUR, LES OPERATEURS DOIVENT LIRE ET COMPRENDRE LES
INSTRUCTIONS QUI SUIVENT AVANT LA MISE EN MARCHÉ DE CETTE MACHINE**

English

Authorized Representative:



**Air Separation
Technologies Inc.**

336 Bronte Street S., Suite 222
Milton, ON L9T 7W6
T: 905-821-8860
F: 905-693-9401
www.astcanada.ca

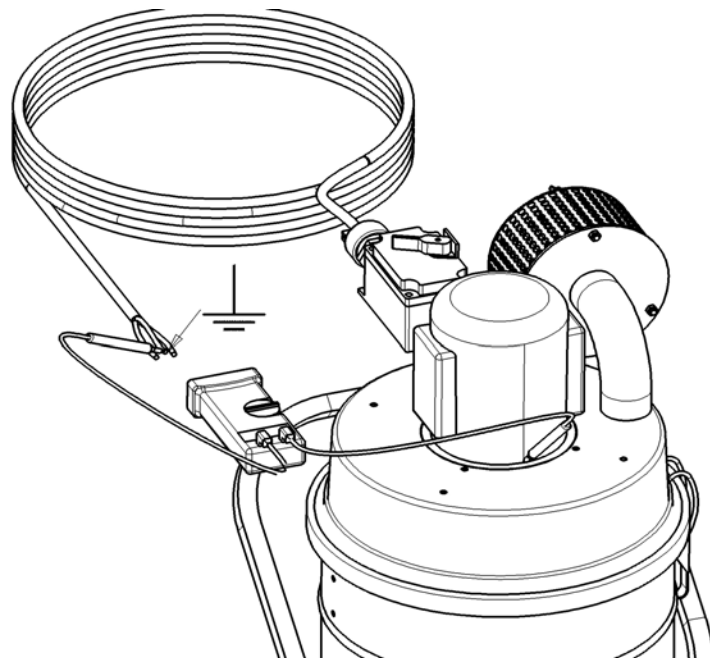
Contents	Page
Test For Ground Continuity	2
Preparing the Machine for Dry Recovery	3
Making Adjustments to Container Gaskets	3
Using the Vacuum.....	4
Using the Vacuum/ Turning the Machine On/Off.....	5
Using the Vacuum/ Cleaning the Main Filter.....	5
Using the Vacuum/ Emptying the Container.....	5
Replacing Parts	6
Replacing Parts/ Replacing the HEPA Filter	6
Replacing Parts/ Replacing Main filter	6
Replacing Parts/ Replacing the optional (upstream) HEPA Filter	7
Parts Explosion	8
Parts Explosion/ Container unit	8
Parts Explosion/ Suction unit	9
Dimensions	10
Wirings Diagrams	11
Applications	12
Grounding Instructions	12
Tools and Attachments	12
Warranty	13
Accessories	14

PLEASE READ THESE INSTRUCTIONS COMPLETELY BEFORE USING THE MACHINE

CAUTION: THE OPERATOR SHOULD TEST THE VACUUM MACHINE FOR GROUND CONTINUITY BEFORE EACH USE

TEST FOR GROUND CONTINUITY (UI 1213 par. 22)

1. Make sure that the grounding path between the terminal for connection of the grounding conductor of the power cord and parts of the Vacuum is assured.
2. Check the ground continuity with an appropriate continuity tester.
3. The resistance of the grounding continuity path shall not exceed 0.1 ohm.

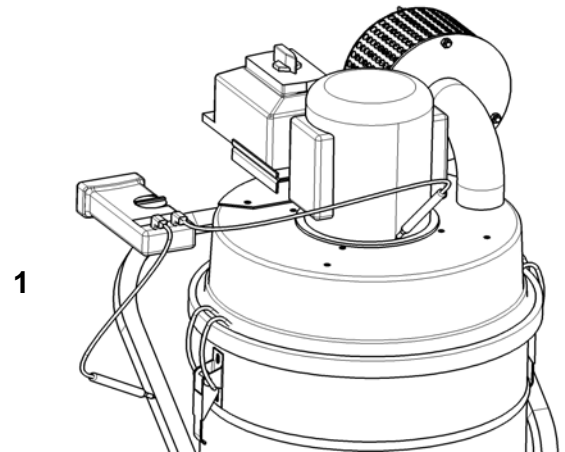


WARNING: If unacceptable results are recorded, **DO NOT OPERATE THE CLEANER.**

Using the tester, check for continuity between each connection of the vacuum cleaner (example: tool to wand, wand to hose, hose to machine, etc) If the problem can not be corrected refer the unit to an **AUTHORIZED SERVICE CENTER ONLY.**

PREPARING THE MACHINE FOR DRY RECOVERY

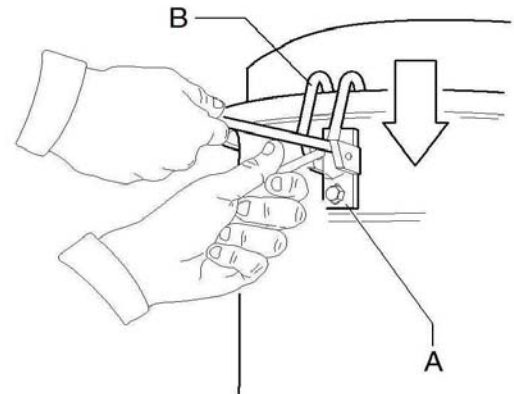
1. Release latches and remove power-head from recovery tank.
2. Insure that the static dissipating, polyester felt filter is properly mounted in the recovery tank. If not, refer to the instructions for "Replacing the Main Filter" (page 6).
3. Place the power-head back on the recovery tank and fasten latches.
4. Attach the static dissipating hose to the suction inlet on the recovery tank and attach the desired tool to the hose.
5. Conduct a ground continuity check before operating (Figure 1).
6. Operate this machine only on properly grounded electrical outlets.



MAKING ADJUSTMENTS TO CONTAINER GASKETS

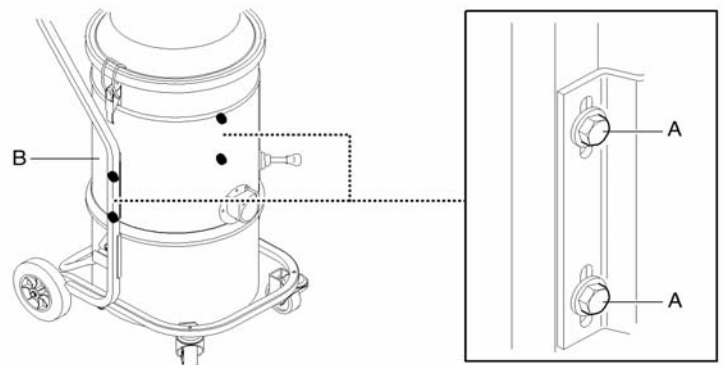
If you suspect the gasket between the motor head and the filter chamber is not sealing properly:

1. Loosen latch screws "A" and slide latch downward.
2. Tighten latch screws.
3. Turn on the unit and inspect the seal between the motor head and filter chamber.
4. Replace the gasket if the seal continues to leak.



If you suspect the gasket between the filter chamber and the collection can is not sealing properly:

1. Loosen the screws "A" that lock filter chamber "B" against the vacuum structure.
2. Lower filter chamber "B" slightly and retighten screws "A".
3. Turn on the unit and inspect the seal between the filter chamber and the collection can.
4. Replace the gasket if the seal continues to leak.



USING THE VACUUM

CAUTION: OPERATORS SHOULD TEST THE VACUUM MACHINE FOR GROUND CONTINUITY BEFORE EACH USE

WARNING: A HEPA FILTER MUST BE INSTALLED IN THE VACUUM MACHINE WHILE WORKING WITH HAZARDOUS MATERIAL. FAILURE TO DO SO WILL EXPOSE PEOPLE IN THE WORK AREA AND OTHERS TO HAZARDOUS MATERIALS WHICH IS A SERIOUS HEALTH RISK.

EMPTYING: IF THIS VACUUM CLEANER IS USED TO COLLECT HAZARDOUS MATERIALS, DO NOT ATTEMPT TO OPEN OR EMPTY ITS CONTENTS WITHOUT PERSONAL PROTECTIVE CLOTHING AND RESPIRATORY PROTECTION. ALL DISPOSED FILTERS, BAGS, DEBRIS SHOULD BE TREATED AS A HAZARDOUS SUBSTANCE AND MUST BE DISPOSED OF IN ACCORDANCE WITH ALL FEDERAL, STATE AND LOCAL REGULATIONS.

WARNING: EXPLOSION HAZARD - USE ONLY NILFISK CFM P/N 7 24190 GROUNDED TYPE HOSE. THIS EQUIPMENT IS CERTIFIED FOR EXPLOSION-PROOF OPERATION, ONLY IF USED WITH SUPPLIED OR RECOMMENDED HOSE AND TOOLS. ANY ALTERATION TO THIS EQUIPMENT BY A THIRD PARTY WILL NULLIFY ITS CERTIFICATION.

WARNING LABELS :**-ON THE VACUUM CLEANER**

WARNING: TO REDUCE THE RISK OF ELECTRIC SHOCK - DO NOT USE OUTDOOR
AVERTISSEMENT: AFIN DE REDUIRE LE RISQUE DE SHOCKS ELECTRIQUES- NE PAS UTILISER A L'EXTERIEUR

CAUTION: OPEN CIRCUIT BEFORE REMOVING COVER and KEEP COVERS TIGHT WHILE CIRCUITS ARE ALIVE
ATTENTION: OUVRIR LE CIRCUIT AVANT D'ENLEVER LE COUVERCLE-GARDER LE COUVERCLE BIEN FERME TANT QUE LES CIRCUITS SONT SOUS TENSION

WARNING: EXPLOSION HAZARD-USE ONLY NILFISK CFM S.p.A P/N 7 24190 GROUNDED TYPE HOSE
AVERTISSEMENT: RISQUE D'EXPLOSION - UTILISER SEULEMENT DES TUYAUX NILFISK CFM S.p.A CODE 7 24190 AVEC MISE A' TERRE

-ON THE POWERCORD

WARNING: Explosion Proof Plug Installed Shall Be Certified And Be Suitable For The Hazardous Area That The Vacuum Is Installed In

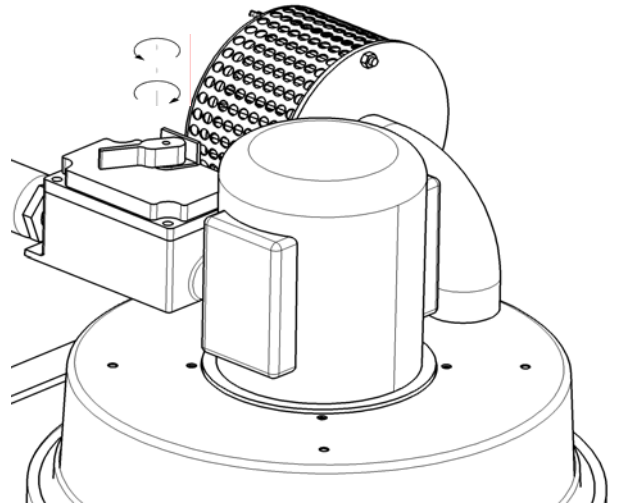
AVERTISSEMENT: Une Fiche Antideflagrante Installee Sera Certifiee Et Conforme Aux Zones Dangereuses Ou' l'Aspirateur Est Installe'

USING THE VACUUM

TURNING THE MACHINE ON/OFF

1. Plug the vacuum cleaner into an approved power source.
2. Turn on the vacuum cleaner by rotating the main switch to the "ON" position (Figure 1).
3. Turn off the vacuum cleaner by rotating the main switch back to the "OFF" position (Figure 1).

1

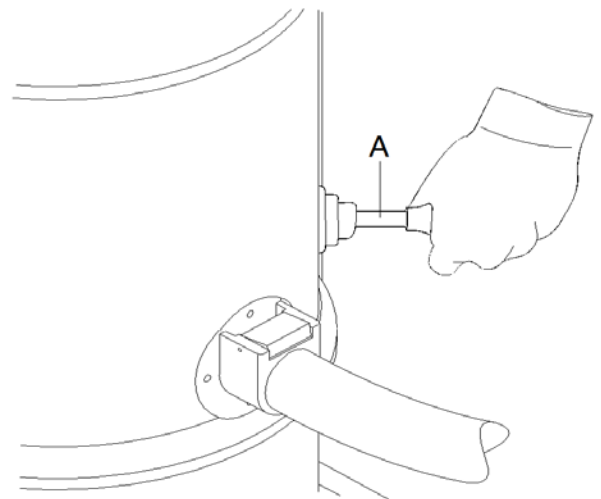


CLEANING THE MAIN FILTER

If the performance of the vacuum cleaner decreases during use, it may be necessary to clean the primary filter:

1. Turn off the vacuum and disconnect the vacuum from its power source.
2. Actuate the filter shaker "A" (Figure 2) by raising and lowering the lever.
3. Repeat this several times to shake the dirt from the primary filter.
4. Wait a few minutes for the dust to settle at the bottom of the container.
5. Empty the container

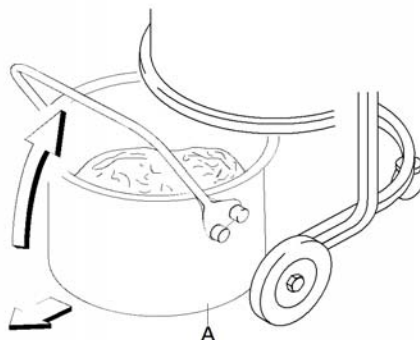
2



EMPTYING THE CONTAINER

1. Turn off the vacuum and disconnect the vacuum from its power source.
2. Detach container "A" (Figure 3) by lifting the handle.
3. Slide the container out from the machine and carry the container by the handle (figure 4).

3



4

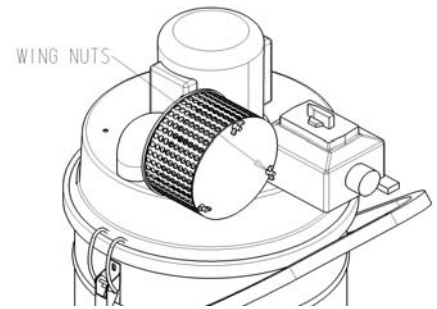


REPLACING PARTS

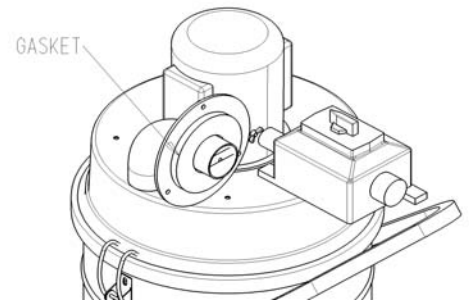
REPLACING THE HEPA FILTER

1. Remove the wing nuts that secure the HEPA screen (Figure 1).
2. Pull off the screen surrounding the three posts.
3. Remove old HEPA cartridge by carefully pulling cartridge through the posts.
4. Remove the old foam gasket from around the exhaust port.
5. Place a new foam gasket around the exhaust port (Figure 2).
6. Carefully install new HEPA cartridge against the foam gasket with the label facing out.
7. Reinstall the screen around the posts.
8. Tighten the wing nuts.

1



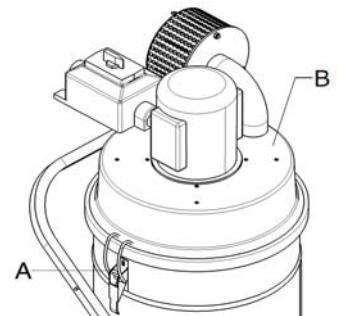
2



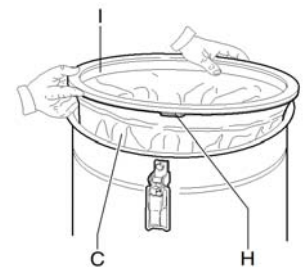
REPLACING THE MAIN FILTER

1. Release the latches "A" and remove the Motor Head "B" (Figure 3).
2. Raise one side of the filter and reach down under the filter with one hand to remove split pin "D". This will release the filter shaker lever "E" from the filter ring "F" (Figure 5).
3. Lift up of the filter and cut the ties (G) that attach the filter to the ring "F"(Figure 5).
4. Unscrew clamp "H" and remove the upper ring "I" (Figure 4).
5. Mount the upper ring "I" onto the new filter and secure the ring in place with clamp "H" (Figure 4).
6. Secure the Filter "C" to the ring "F" using the ties "G" supplied in the new filter kit (Figure 5).
7. Place the new filter assembly inside the filter chamber and reconnect the assembly using the split pin "D" (Figure 5).
8. Mount the motor head "B" onto the machine and secure in place with the latches "A" (Figure 3).
9. Dispose of the old filter in accordance with all federal, state and local regulations.

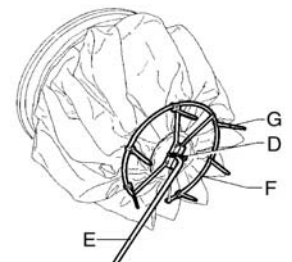
3



4



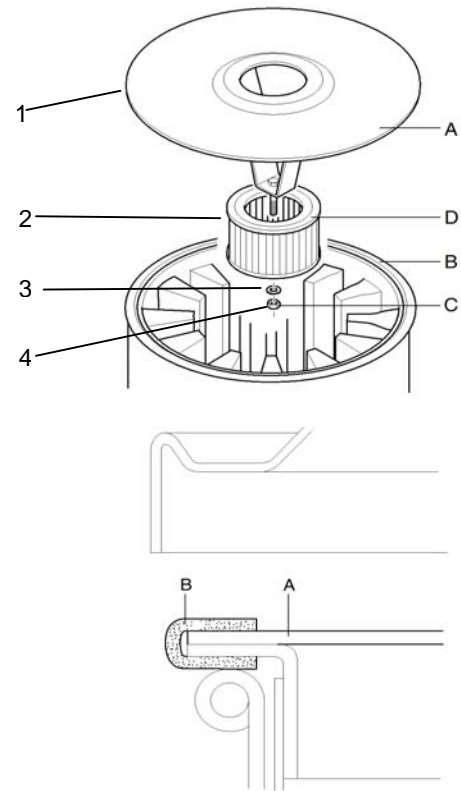
5



REPLACING PARTS

REPLACING THE OPTIONAL (UPSTREAM) HEPA FILTER

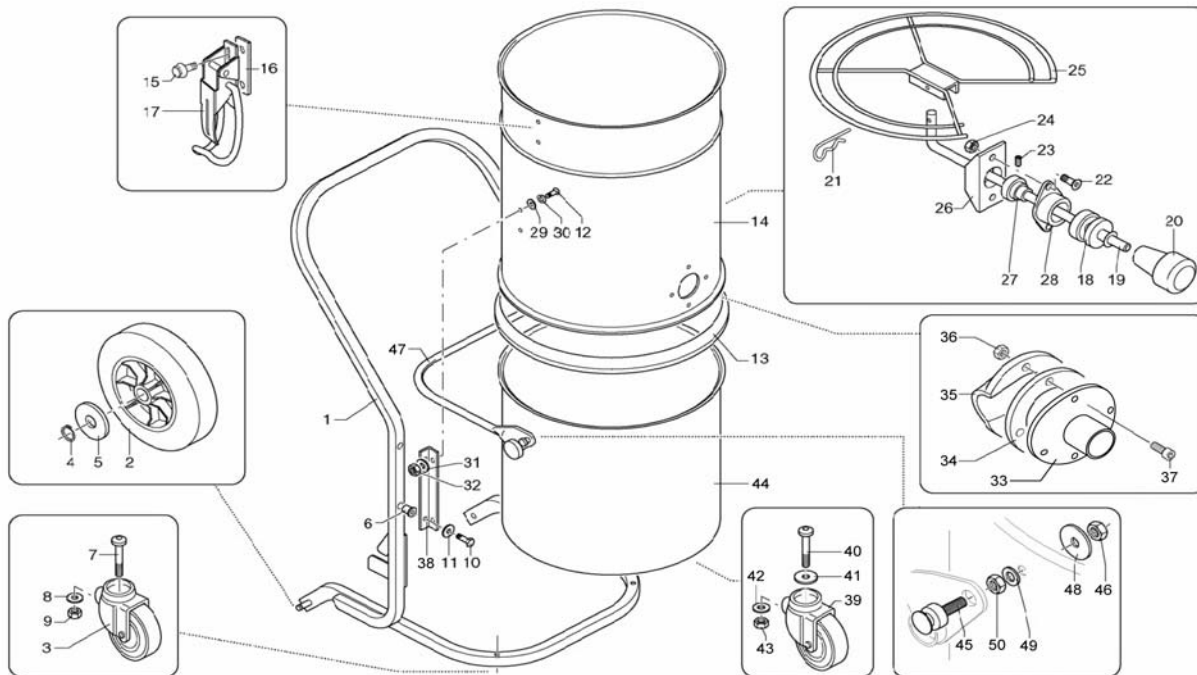
1. Release the latches and remove the motor head.
2. Separate disc "A" from gasket "B" and remove disc/filter assembly from the vacuum machine.
3. Loosen nut "C" and remove the HEPA filter "D".
4. Fit a new HEPA Filter onto Disc "A" and tighten in place.
5. Slide the disc with new filter into gasket "B".
6. Replace the motor head onto the vacuum machine.
7. Dispose of the old filter in accordance with all federal, state and local regulations.



POS.	N^CODE	Q	DESCRIPTION	POS.	N^CODE	Q	DESCRIPTION
1	8 33323G	1	DISC	3	BR010X	1	WASHER
2	8 17262	1	HEPA FILTER	4	BN10X	1	NUT

PARTS EXPLOSION

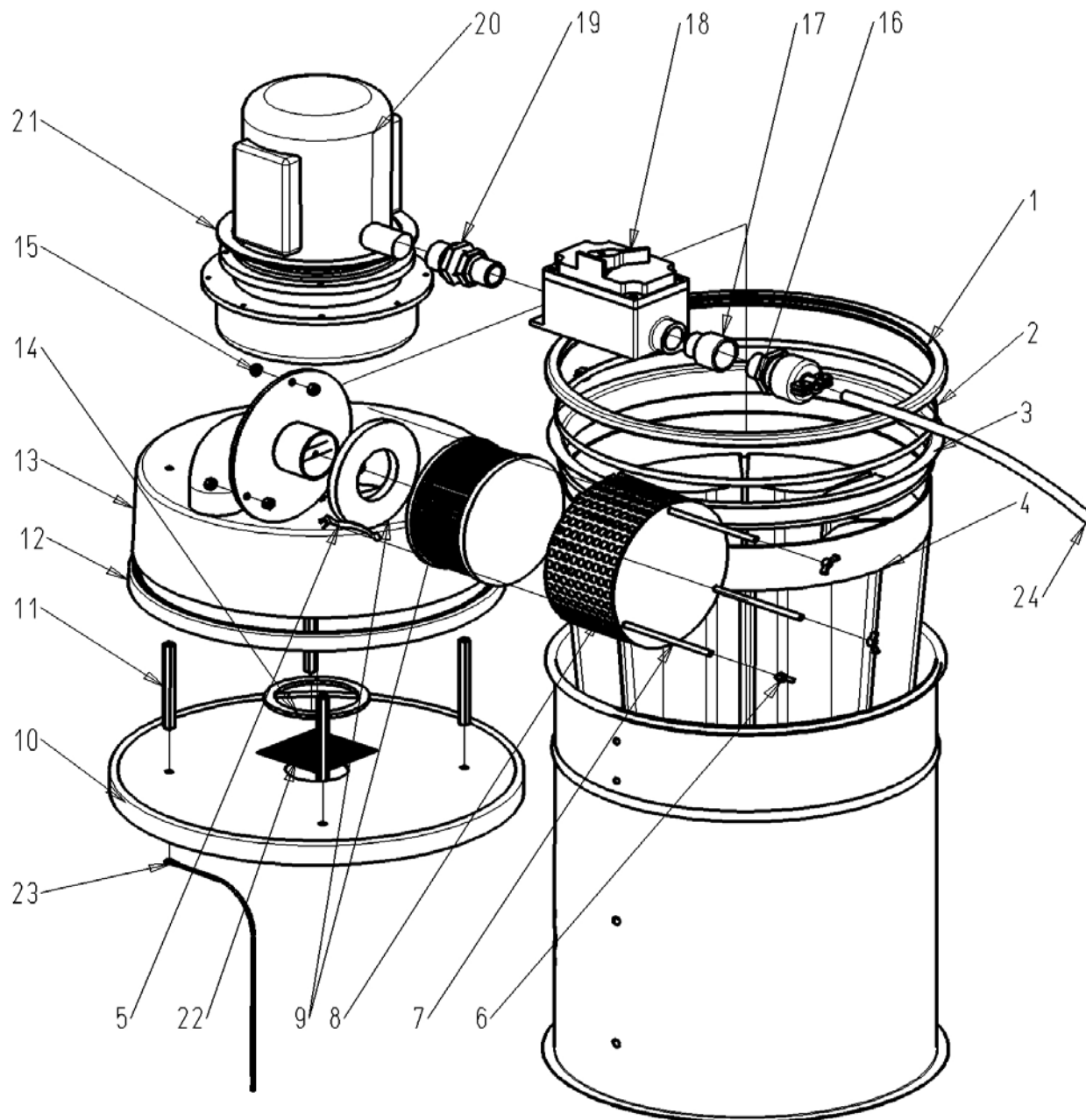
CONTAINER UNIT



ACT DE	N^CODE	Q	DESCRIPTION	POS.	N^CODE	Q	DESCRIPTION
1	8 36359	1	CAR	26	8 15130	1	SUPPORT
2	8 40261	2	WHEEL	27	8 38047	1	ARTICULATION
3	8 40910	2	WHEEL	28	8 15131	1	BELOWS HOLDER
4	BSEE15G	2	CLIP	29	BR00824X	4	WASHER
5	BRO15ZB	1	WASHER	30	BRODO8X	4	WASHER
6	8 38059	4	RIVET	31	BROO8X	4	WASHER
7	BVTBCE0840ZB	2	SCREW	32	BDNO8X	4	NUT
8	BRO08ZB	2	WASHER	33	8 32086	1	FILLER
9	BDABO8ZB	2	NUT	34	8 17005	1	SEAL
10	BVTEO62OZB	4	SCREW	35	8 32314	1	DEFLECTOR
11	BROO618ZB	4	WASHER	36	BDNO5X	4	NUT
12	BVTBCEO816X	4	SCREW	37	BVTBCEO525X	4	SCREW
13	8 17226	1	SILICON SEAL	38	8 18970	2	BRACKET
14	8 11110	1	CHAMBER	39	8 40402	3	WHEEL
15	BVTEZO6O8X	4	SCREW	40	BVTBCEO820X	3	SCREW
16	8 18010	2	PLAQUE	41	BR00832X	3	WASHER
17	8 36030	2	LOCK	42	BROO8ZB	3	WASHER
18	8 40393	1	BELLOWS	43	BDAO8ZB	3	NUT
19	8 33221	1	ROD-INOX	44	8 30337	1	CONTAINER
20	8 40373	1	HANDGRIP	45	8 14579	2	PIN
21	8 38018	1	COTTER PIN	46	BDAO8X	2	NUT
22	BVTBCO616X	1	SCREW	47	8 18971	1	HANDLE
23	BVSTCECO4O6X	1	DOWEL	48	BR00832X	2	WASHER
24	BDAO6X	1	NUT	49	BROO8X	2	WASHER
25	8 33174	1	RING	50	BDNO8X	2	NUT

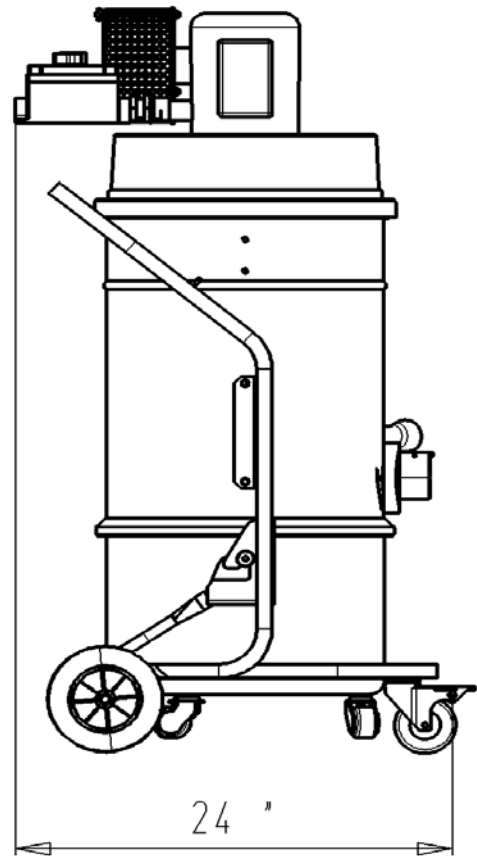
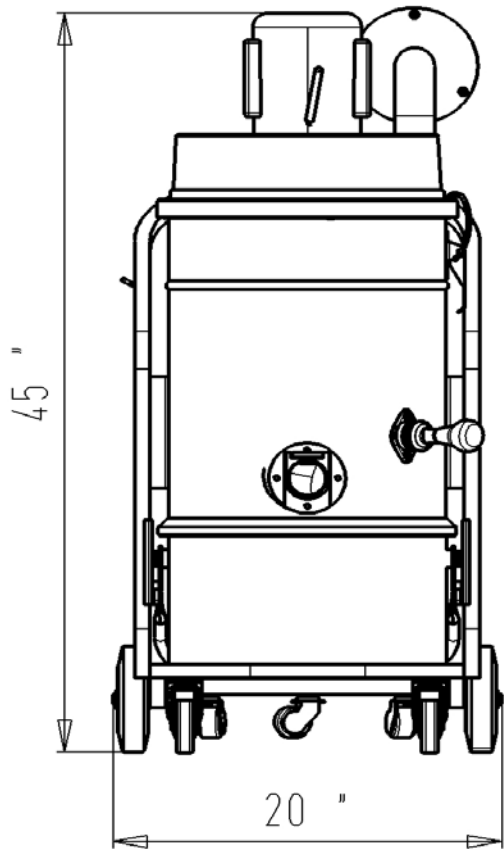
PARTS EXPLOSION

SUCTION UNIT

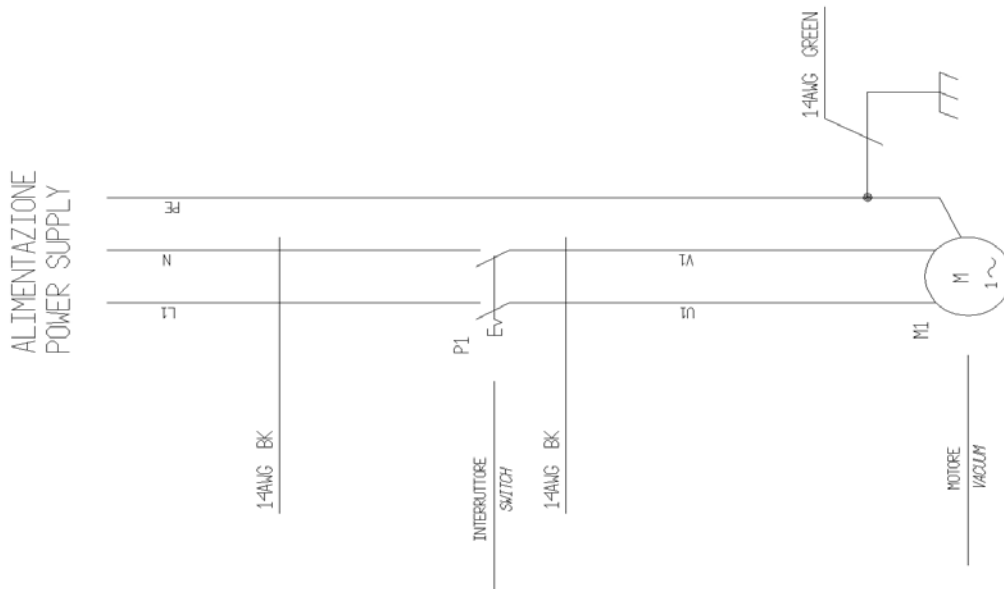


POS.	N^CODE	Q	DESCRIPTION	POS.	N^CODE	Q	DESCRIPTION
1	8 17125	1	GASKET	13	8 12403	1	CAP
2	8 18078	1	STOP	14	8 17006	3	GASKET
3	8 15009	1	RING	15	BDN06X	8	NUT
4	8 17140	1	FILTER	16	8 391241	1	CABLE-PRESS
5	8 18980	2	GROUNDING TAB	17	8 391242	1	CONNECTOR
6	8 38073	3	WING NUTS	18	8 391240	1	SWITCH
7	8 38072	3	POSTS	19	8 391243	1	CONNECTOR
8	8 31698	1	SCREEN	20	8 54017	1	MOTOR
9	01727631	1	HEPA FILTER	21	8 17804	1	GASKET
10	8 35130	1	MOTOR FIXING DEVICE	22	8 13066	1	MESH
11	8 14623	4	STUD	23	8 39669	1	EARTH CABLE
12	8 17124	1	GASKET	24	8 391244	1	CABLE

DIMENSIONS



WIRING DIAGRAMS



Nome/Item	Tipo/Type	Descrizione/Description	Descrizione/Description	Costruttore/Mark	0.ta/0.th
P1	8 391240	INTERRUTTORE 2P 30A SCATOLATO	SWITCH 2 POLE 30A	PASS & SEYMOUR	1
M1	8 54017	MOTORE MONOFASE	MONOPHASE MOTOR	AMETEK	1

APPLICATIONS

The electric motors used in the Nilfisk Explosion Proof vacuum Cleaner model 118EXP have been listed by Underwriters Laboratories Inc. in guide PTDR file E25653, for use in the following hazardous locations classifications:

Class I/Group D Atmospheres containing: gasoline, petroleum, naphtha, benzine, butalie, propane, alcohol, acetone, benzol, lacquer solvent vapors or natural gas.

Warning: Do not use this or any other Nilfisk CFM vacuum for the purposes of cleaning or extracting fuel residues from airplanes or ships.

Class II/Group E Atmospheres containing: metal dust

Class II/Group F Atmospheres containing: carbon, black coal or coke dust.

Class II/Group G Atmospheres containing: flour, starch or grain dust.

NOTE: The motors used in this vacuum cleaner are designed for use in commercial and industrial vacuum equipment which employs filters to remove dirt from the airstream before reaching the motor's vacuum fans. Do not operate the vacuum cleaner without the proper filter system installed.

GROUNDING INSTRUCTIONS

This vacuum cleaner must be connected to an earth ground source. Cord plug installed by customer, shall be suitable for the hazardous locations area that vacuum is installed in. If the vacuum cleaner should malfunction or break down, grounding provides a path of least resistance for electric current to reduce the risk of electrical shock. This vacuum cleaner must be properly installed and grounded in accordance with all local codes and ordinances.

DANGER: Improper connection of the equipment-grounding conductor can result in a risk of electric shock. Check with a qualified electrician or service person if you are in doubt as to whether the outlet is properly grounded. Use only with certified explosion-proof plugs and outlets.

TOOLS AND ATTACHMENTS

WARNING: EXPLOSION HAZARD - USE ONLY NILFISK CFM P/N 7 24190 GROUNDED TYPE HOSE.

This equipment is only certified for explosion-proof operation if it is equipped with the proper conductive hose and tools. Any alteration to this equipment by a third party will nullify its certification.

WARRANTY

Nilfisk warrants that its equipment will be free of defects in workmanship or material for a period of two years from the date of delivery. If the vacuum fails to meet these warranty standards, Nilfisk shall, upon notification within such time period, correct such non-conformity, at its option, either by repairing any defective part or parts, or by replacing a part or parts provided that the equipment is returned to an authorized Nilfisk service facility. In all cases freight both ways will be at expense of the customer. Equipment shall not be returned without advance notice to, and consent of Nilfisk.

EXCEPT AS SPECIFICALLY SET FORTH HEREIN, NILFISK MAKES NO WARRANTIES, EITHER EXPRESSED OR IMPLIED, AS TO ANY MATTER WHATSOEVER, INCLUDING WITHOUT LIMITATION ANY AND ALL WARRANTIES OF MERCHANTABILITY, FITNESS OF PURPOSE, OR OTHER WARRANTIES, ALL OF WHICH ARE EXPRESSLY DISCLAIMED AND EXCLUDED. NEITHER PARTY SHALL BE LIABLE TO THE OTHER FOR SPECIAL, INDIRECT, INCIDENTAL OR CONSEQUENTIAL DAMAGES, INCLUDING BUT NOT LIMITED TO LOSS OF PRODUCTION, LOSS OF PROFITS OR ANY OTHER SIMILAR INDIRECT LOSSES WHICH MIGHT OCCUR AS A RESULT OF DEFECTS, PARTIAL OR TOTAL FAILURE OF THE PRODUCT TO PERFORM AS SPECIFIED.

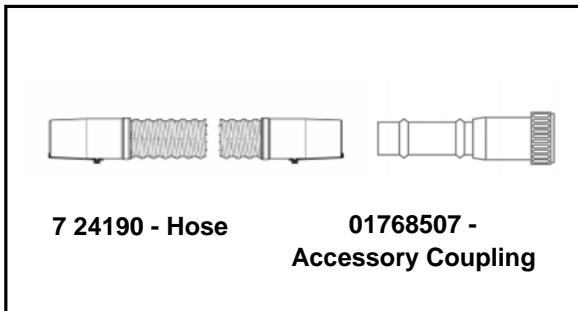
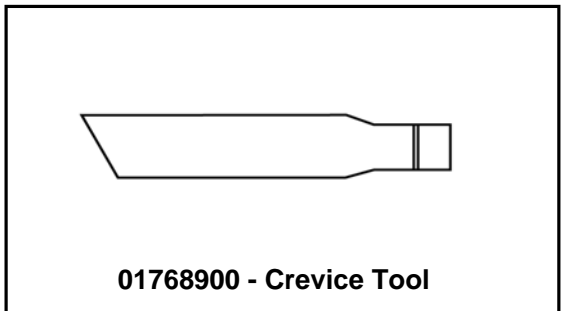
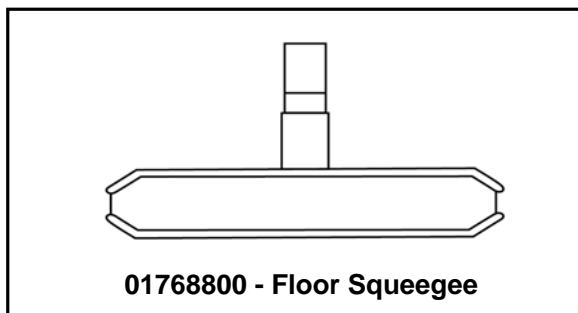
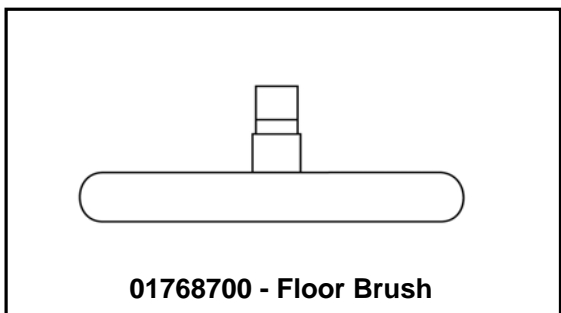
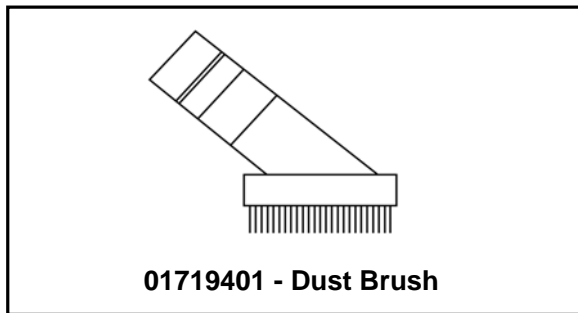
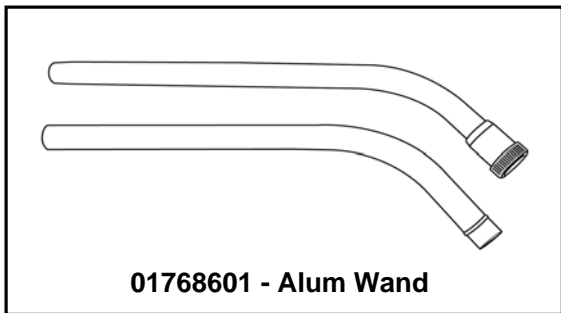
Correction of non-conformities or defects in the manner and for the period of time provided above, shall constitute fulfillment of all liabilities of Nilfisk to the customer, whether based on contract, negligence or otherwise with respect to, or arising out of such equipment. The remedies set forth herein are exclusive, and the inability of Nilfisk with respect to this sale or anything done in connection therewith, whether in contract, in tort, under any warranty, or otherwise, shall not, except as expressly provided herein, exceed the price of the equipment or part on which such liability is based.

This warranty does not cover repairs due to normal wear and tear, accident, neglect, misuse or abuse, incorrect installation or use other than as described in the instruction booklet. Breaks in hoses and cables are not covered. This warranty is rendered void if the motor number plate is removed or defaced or if repairs are made or attempted by persons not authorized by Nilfisk.

Some states do not allow exclusion of implied warranties or limitations on how long an implied warranty lasts so the above exclusions or limitation of implied warranties may not apply. Some states do not allow exclusion or limitation of incidental or consequential damages so the above exclusion or limitation of incidental or consequential damages may not apply. Limited warranties set forth above give specific legal rights. Customer may have other rights which vary from state to state.

Nilfisk-Advance America, Inc., 300 Technology Drive, Malvern, PA 19355, (610)647-6420

ACCESSORIES



BOM 01760495 - 118EXP Dry Accessory Kit

Nilfisk P/N	Description	Qty	Material
01719401	Dust Brush	1	Aluminium
01768601	Alum Wand	1	Aluminium
01768700	14" Floor Brush	1	Aluminium
01768900	11" Crevice Tool	1	Aluminium

Hose

Nilfisk P/N	Description	Qty	Material
7 24190	Hose	1	Conductive

Accessory Coupling

Nilfisk P/N	Description	Qty	Material
01768507	Accessory Coupling	1	Aluminium / Stainless steel